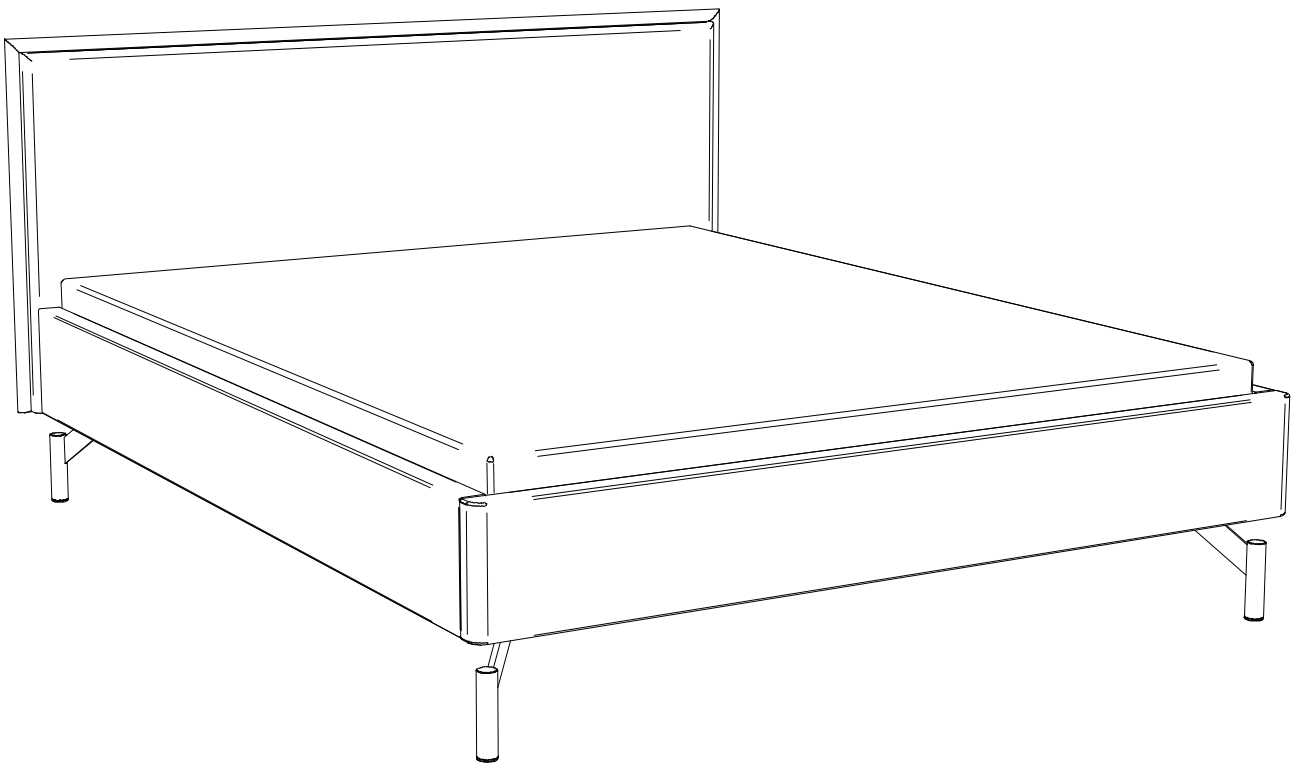
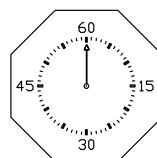
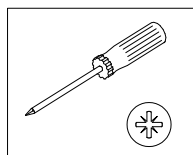
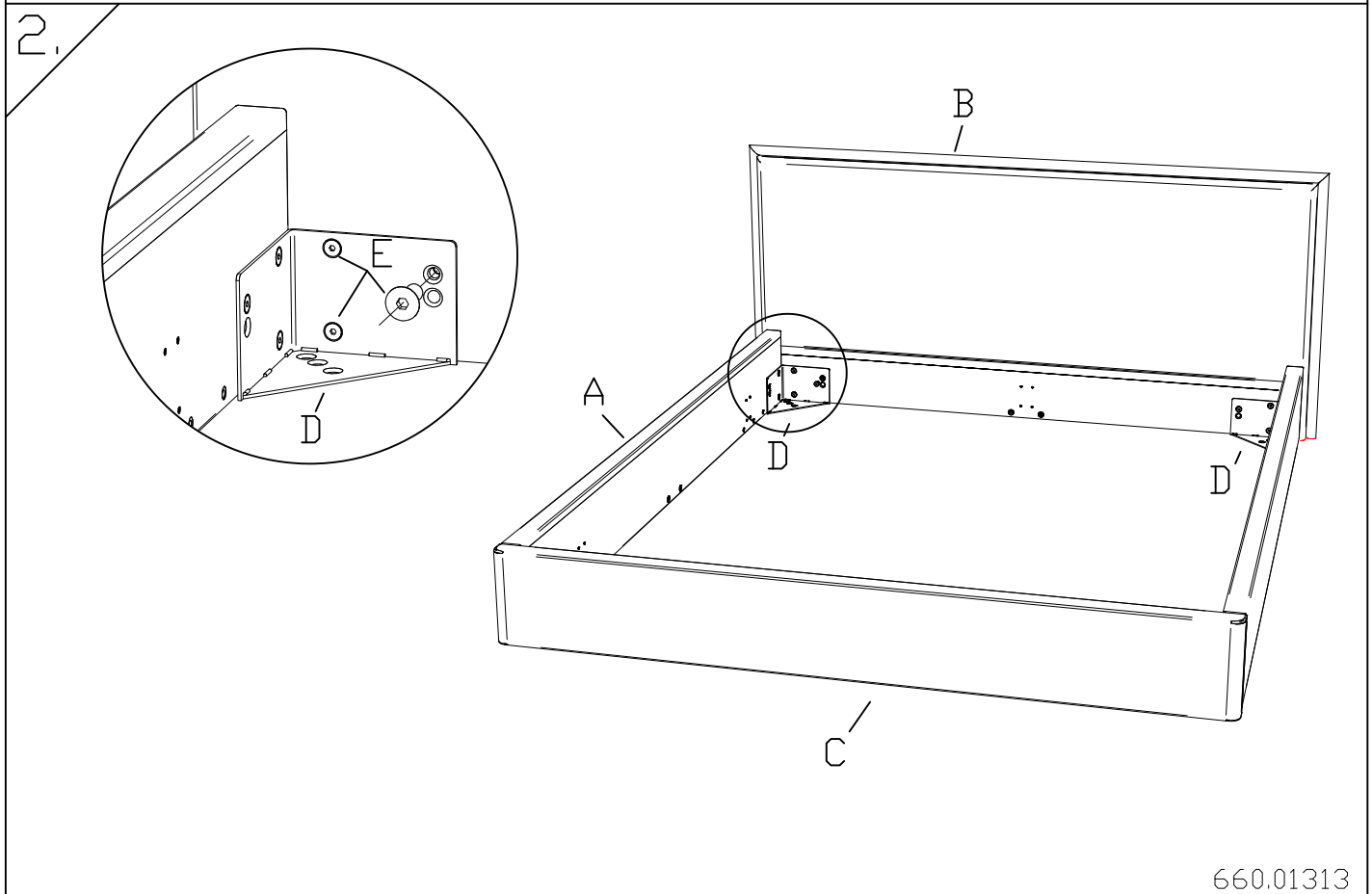
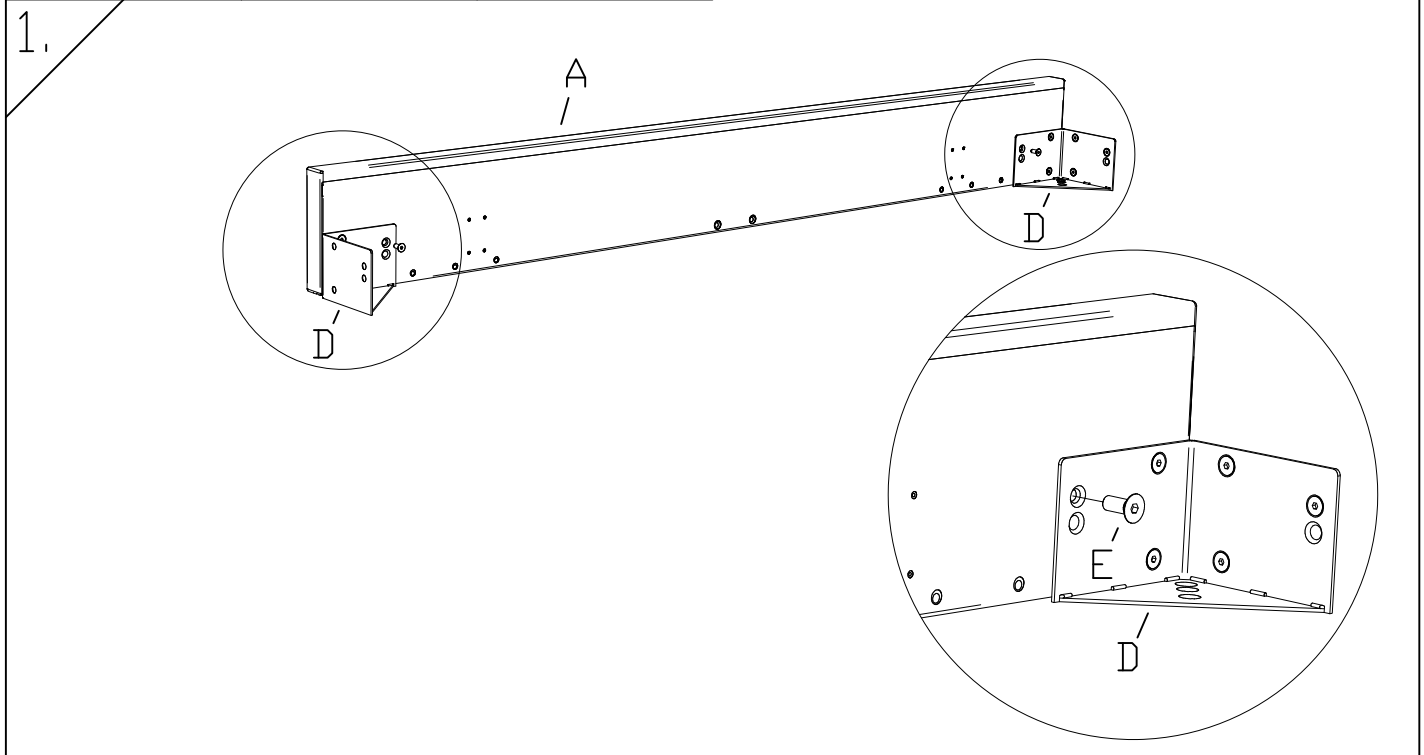
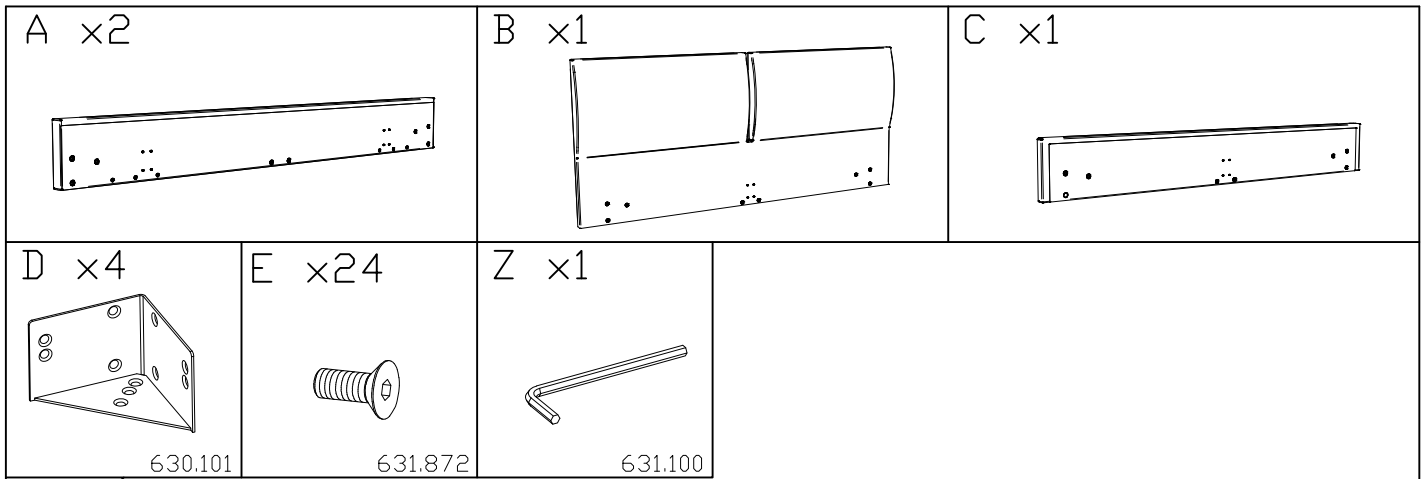


Marla

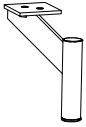


Benötigte Werkzeuge – Outils Nécessaires – Tools Required – Attrezzi Necessari

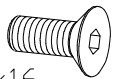




F x4



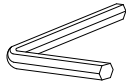
G x8



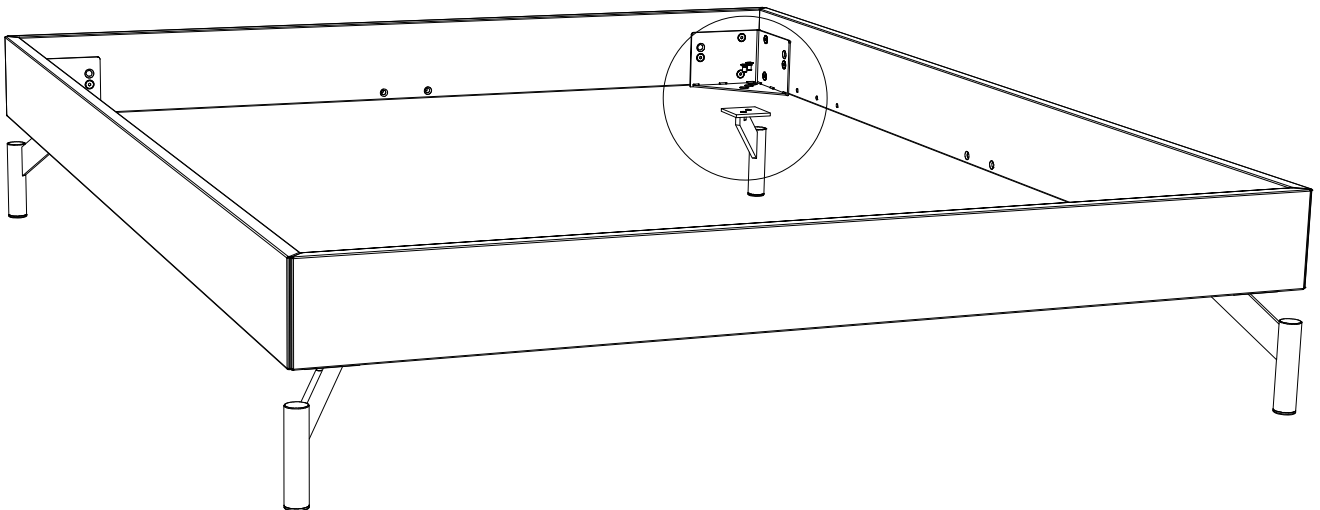
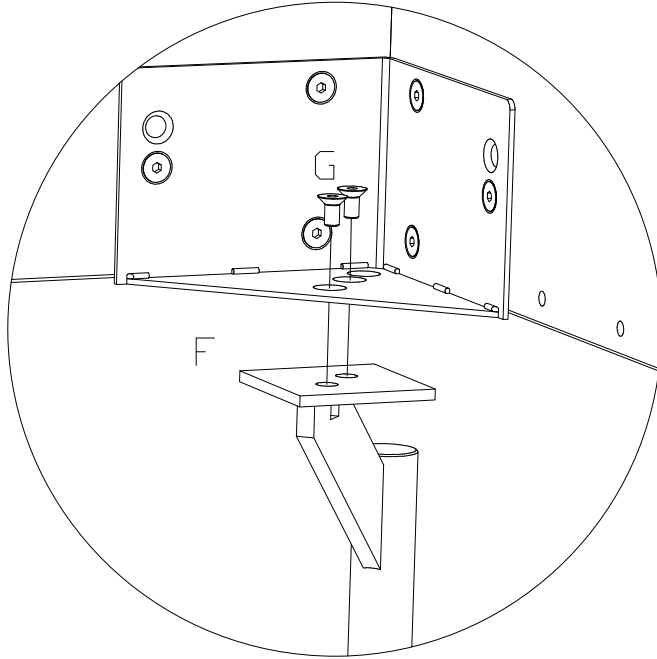
M8x16

631.876

Z x1

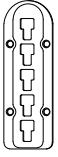


631.100



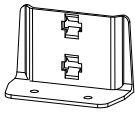
bei Breite 140cm
for widths of 140cm
des dimensions 140cm
della misura 140cm

I ×4



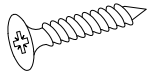
630.141

K ×4

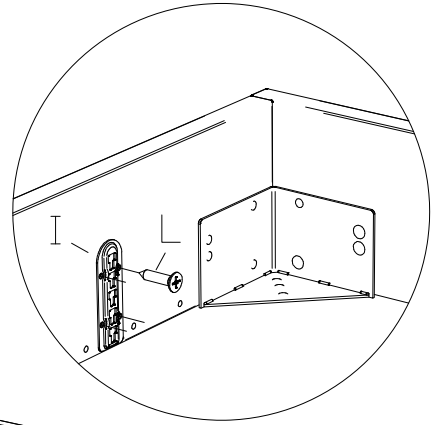


630.142

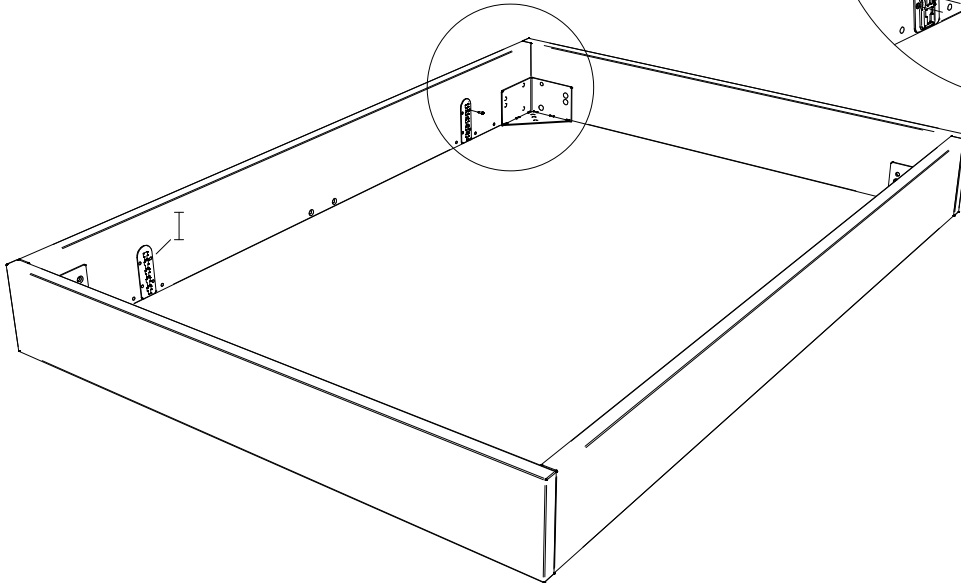
L ×16



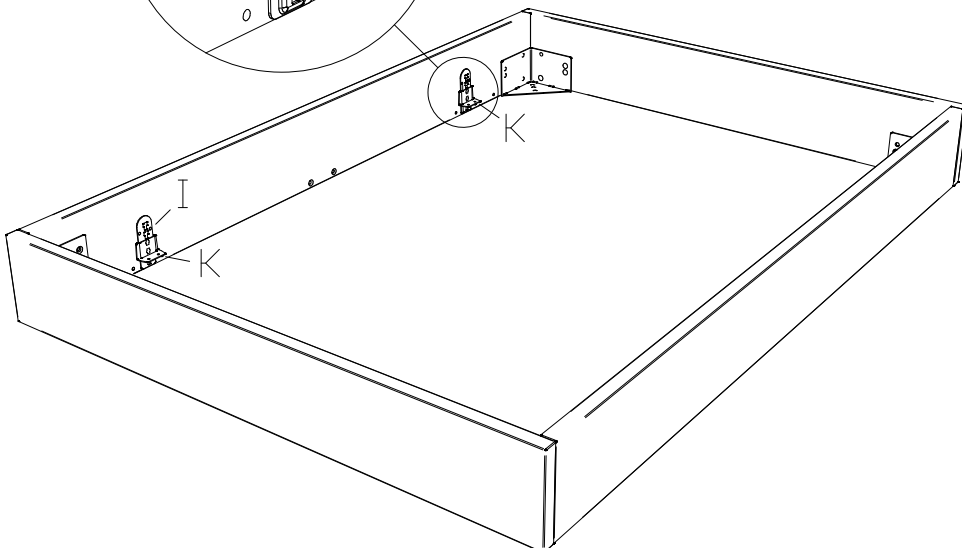
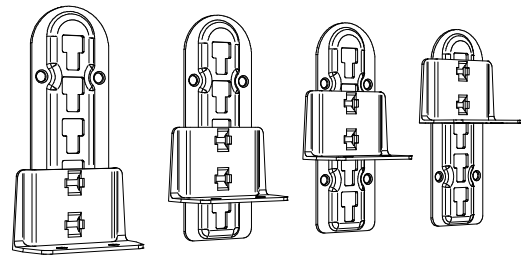
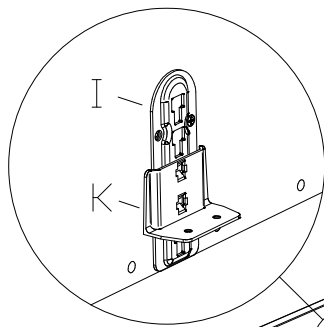
631.303



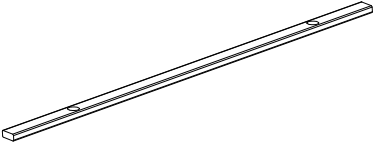
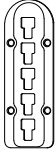
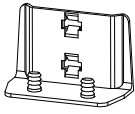
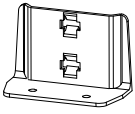
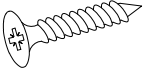
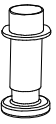
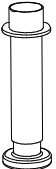

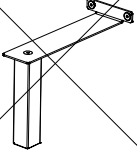
4.

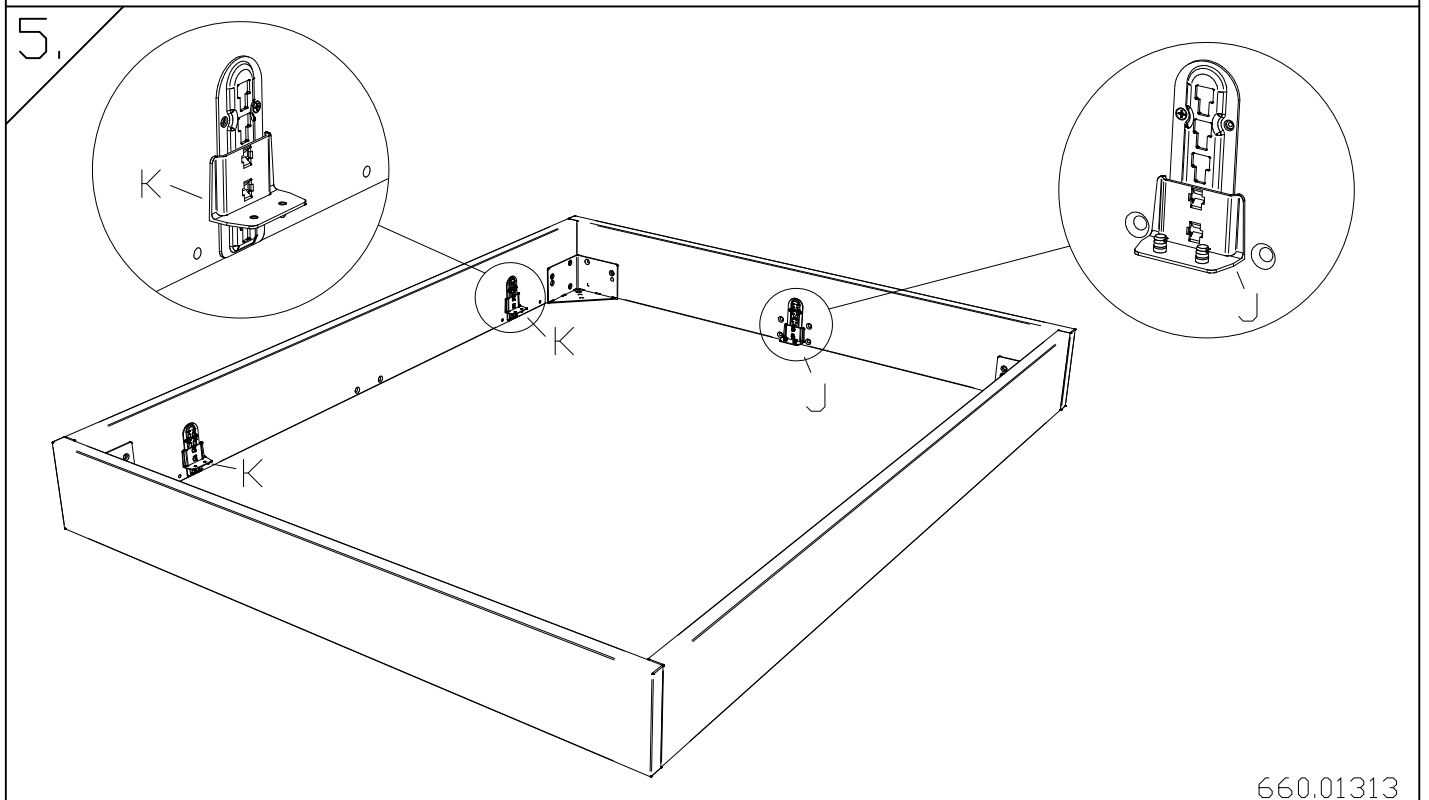
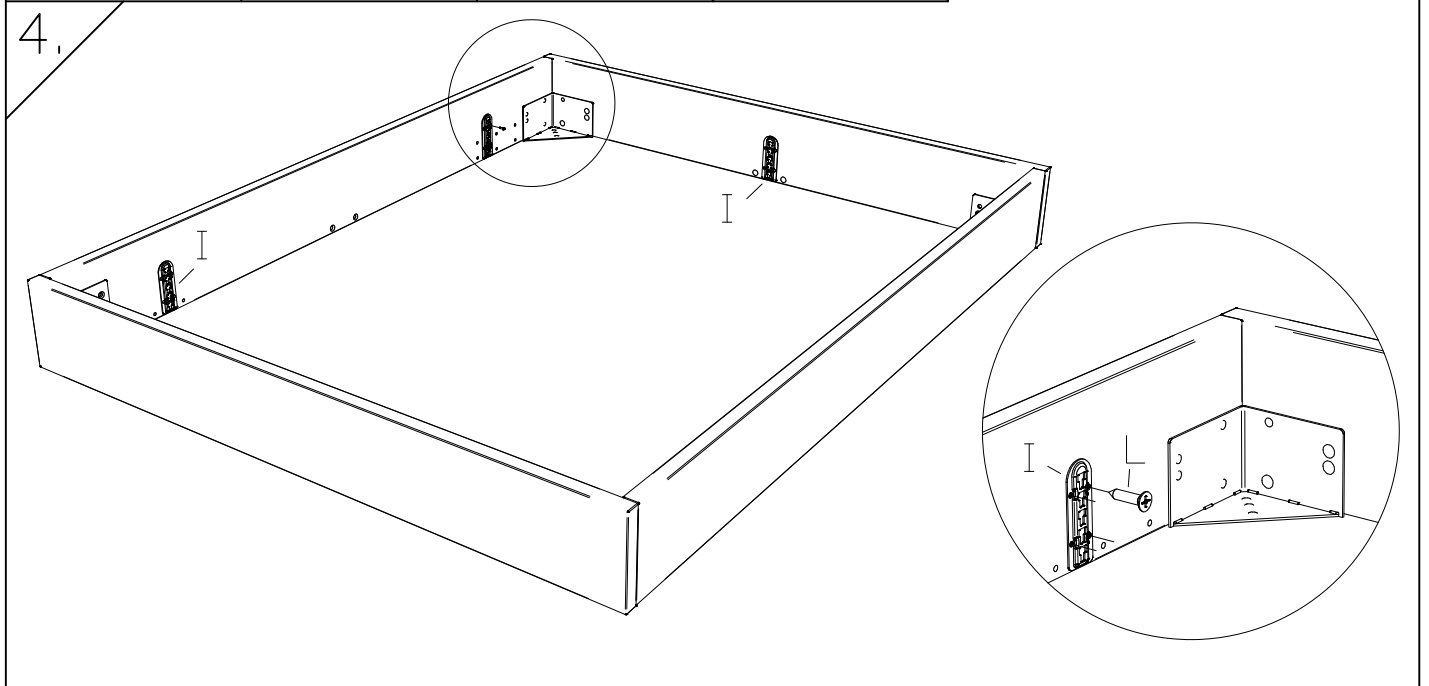


5.

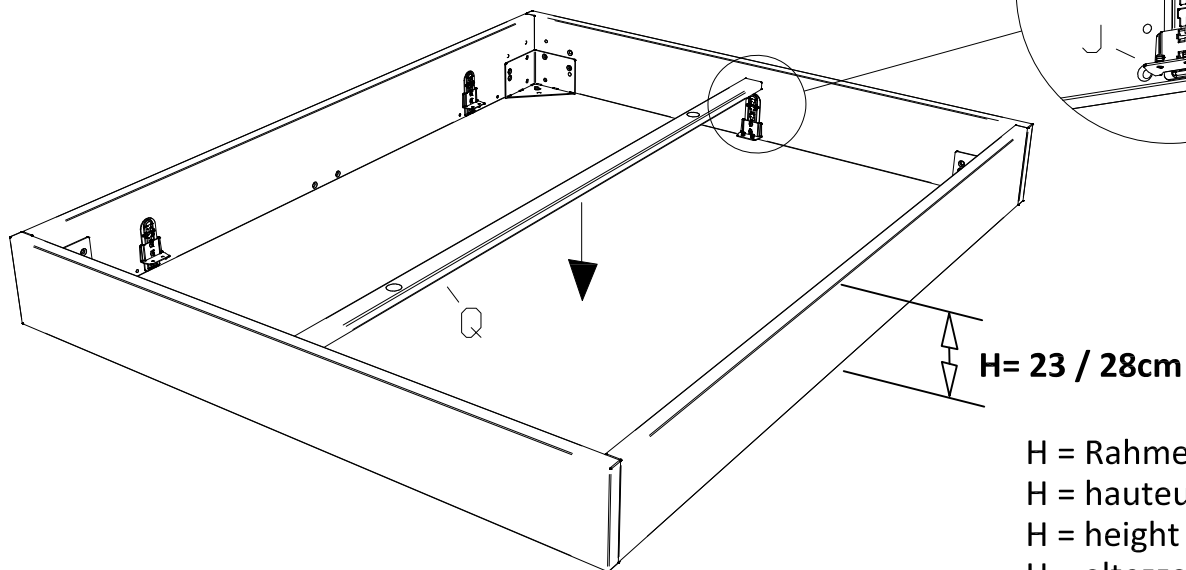


bei Breiten ab 160cm
 for widths from 160cm
 à partir des dimensions 160cm
 a partire della misura 160cm

<p>Q x1</p> 	<p>I x6</p>  <p>630.141</p>	<p>J x2</p>  <p>630.143</p>	<p>K x4</p>  <p>630.142</p>	<p>L x24</p>  <p>631.303</p>
<p>M x2</p>  <p>630.187</p>	<p>N x2</p>  <p>630.185</p>	<p>P x4</p>  <p>630.177</p>		

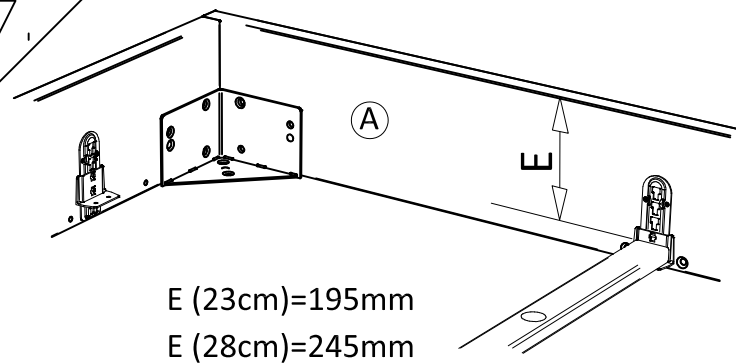


6.



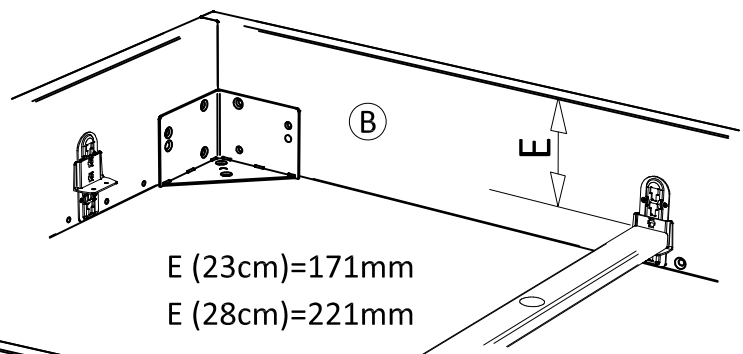
H = Rahmenhöhe
 H = hauteur du cadre
 H = height of frame
 H = altezza telaio

7.

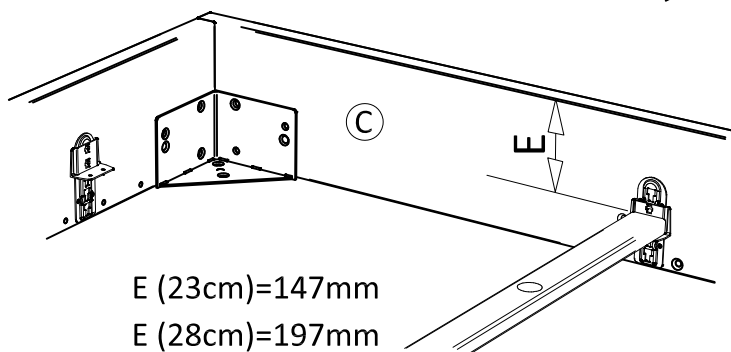


E (23cm)=195mm
 E (28cm)=245mm

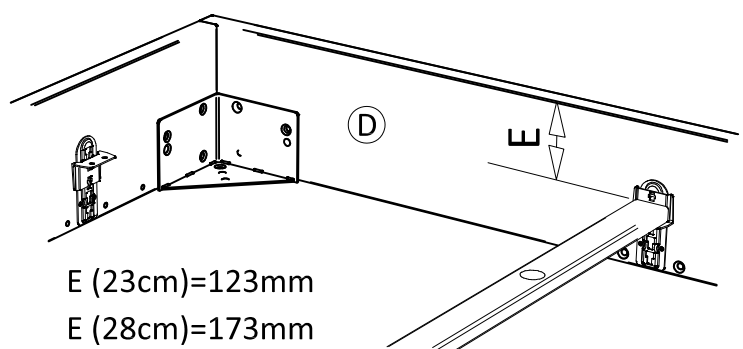
E = Einlegetiefe
 E = hauteur encastrable
 E = insertion depth
 E = altezza incasso



E (23cm)=171mm
 E (28cm)=221mm

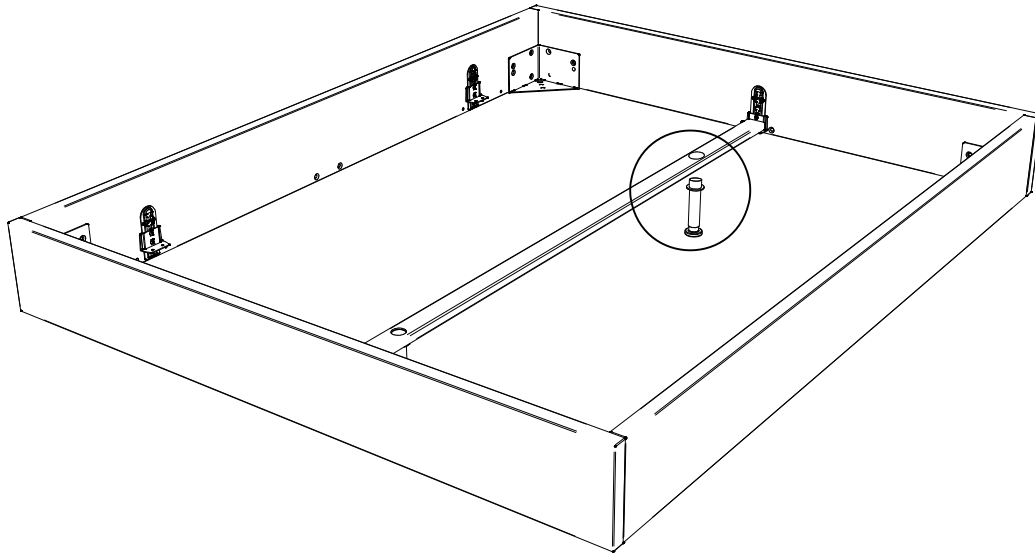


E (23cm)=147mm
 E (28cm)=197mm



E (23cm)=123mm
 E (28cm)=173mm

660.01313



Bettfusshöhe
Height of feet for bed
Hauteur des pieds de lit
Altezza piede

Mittelfusshöhe
Height of middle feet
Hauteur des pieds médians
Altezza piede centrale

