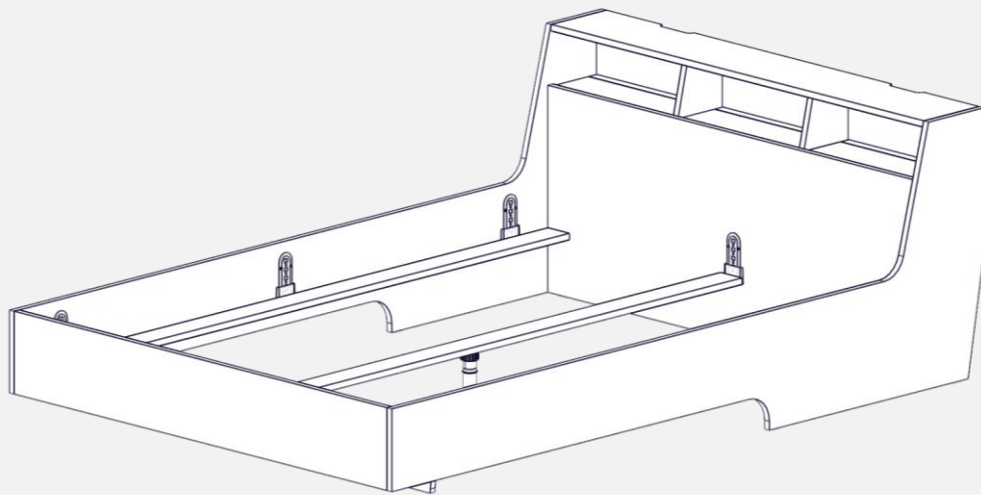


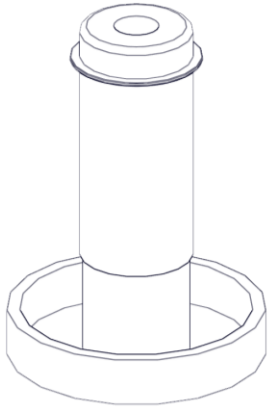
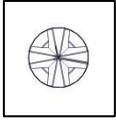
Slope-Bett

Montage

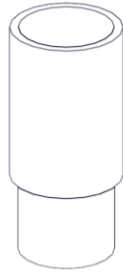




Slope-Bett



BSCH-0026



BSCH-0027
x2



BDU-0001
x6



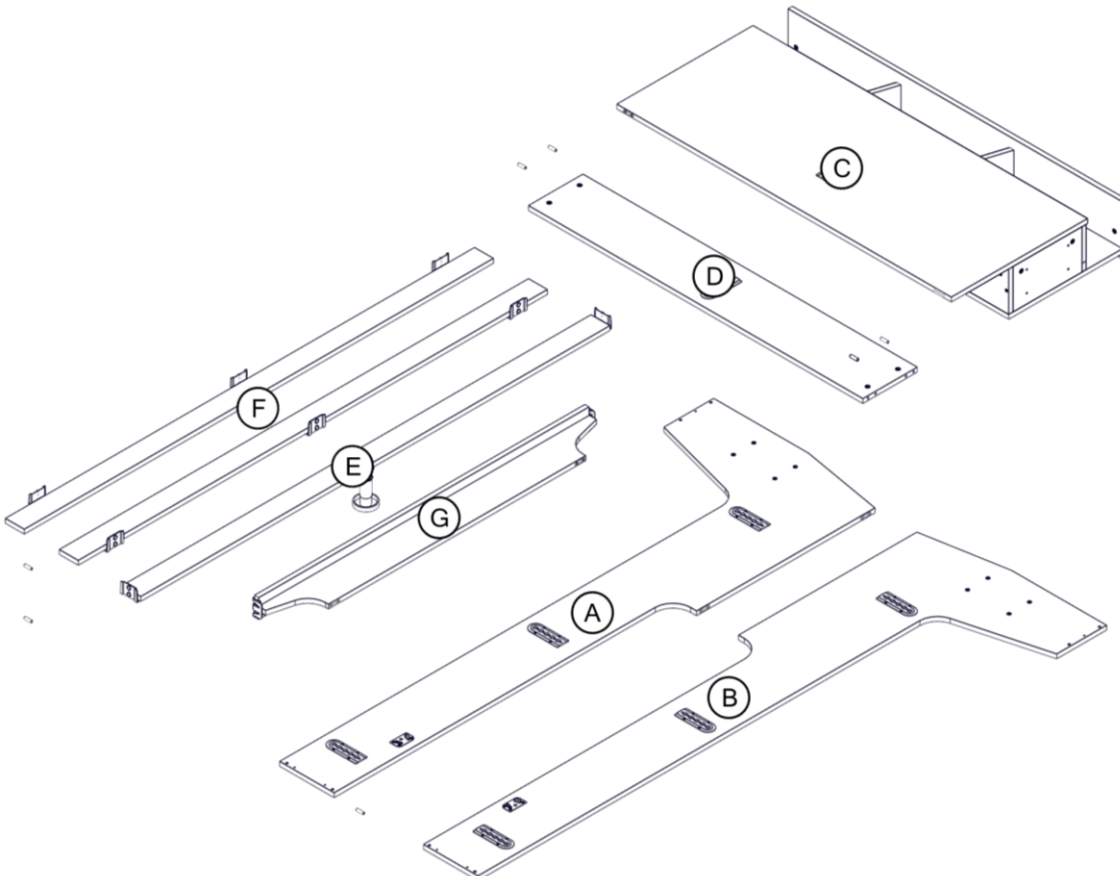
BSCH-0068
x8



BDU-0007
x8

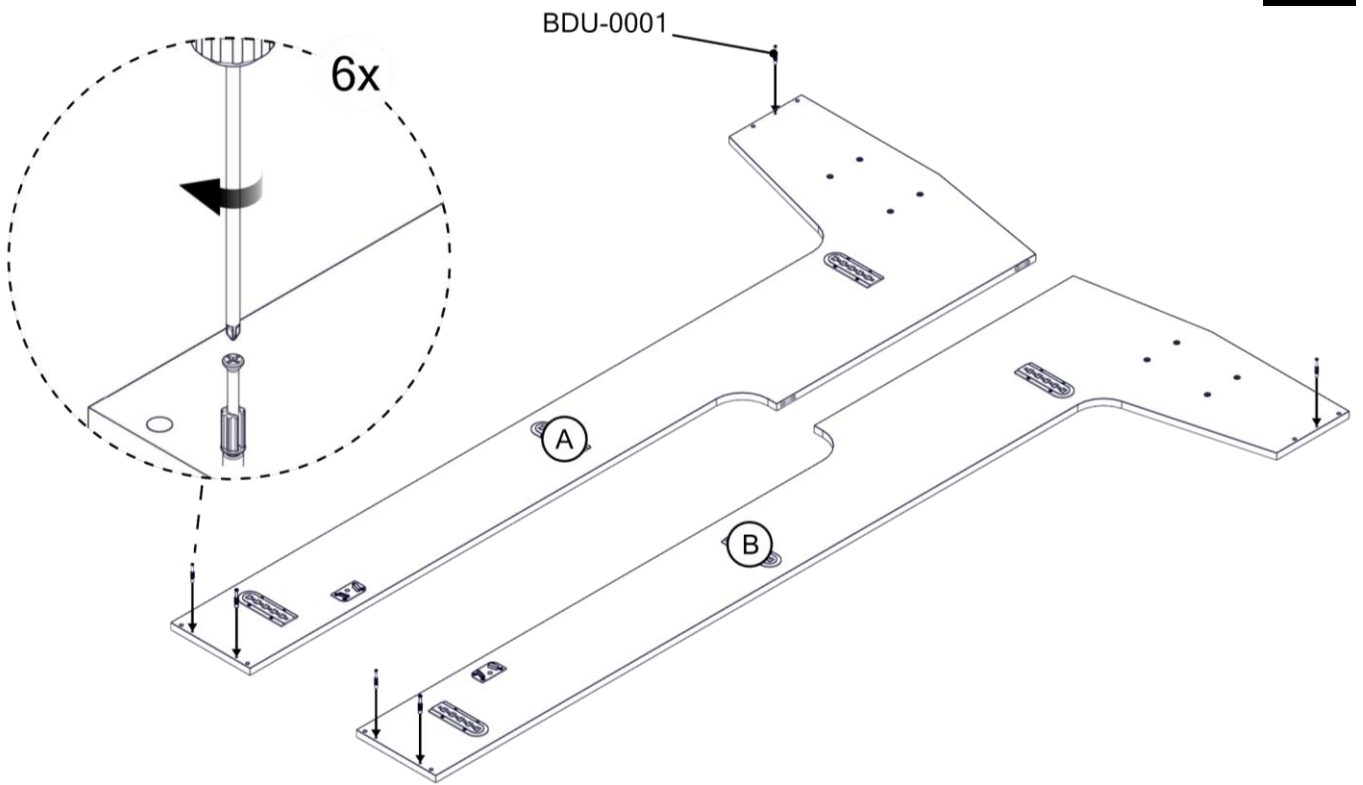


ZWZ-0002

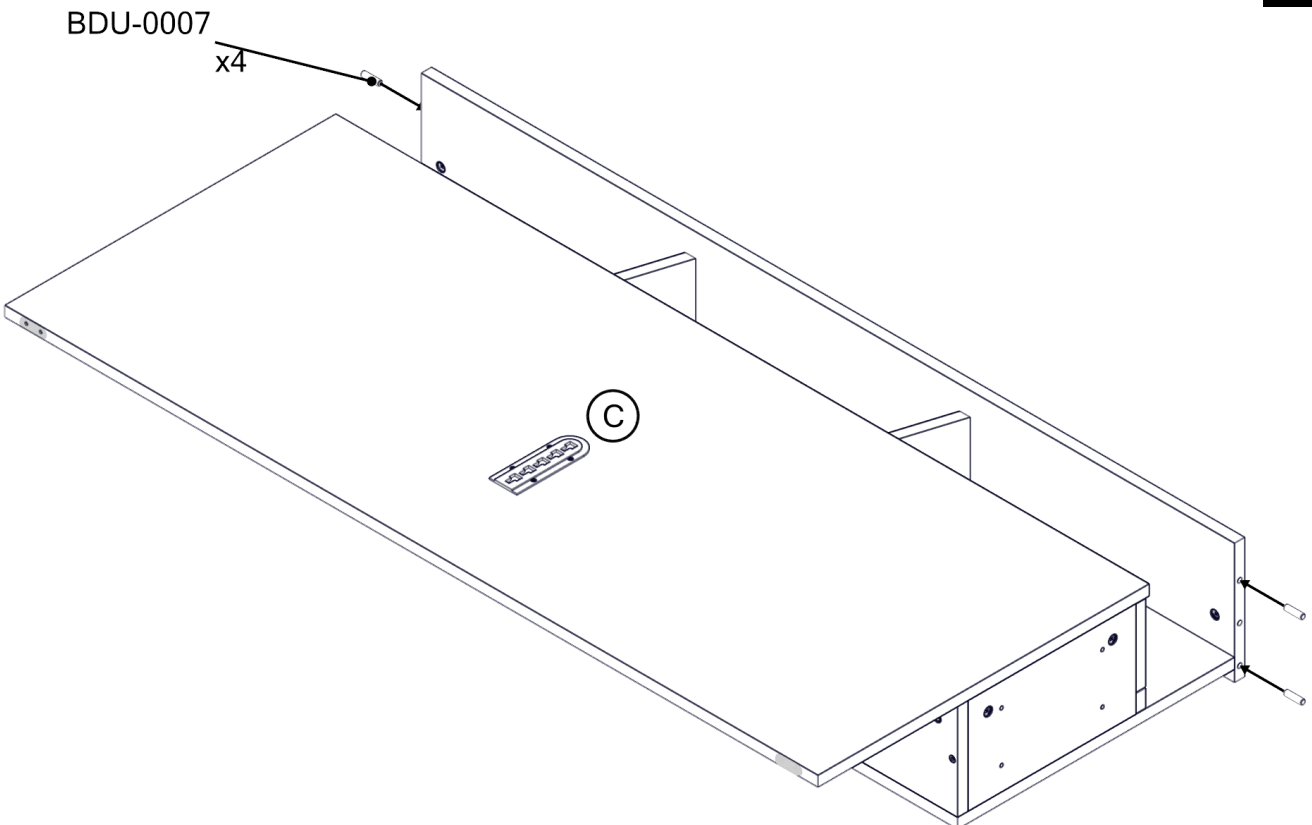




1



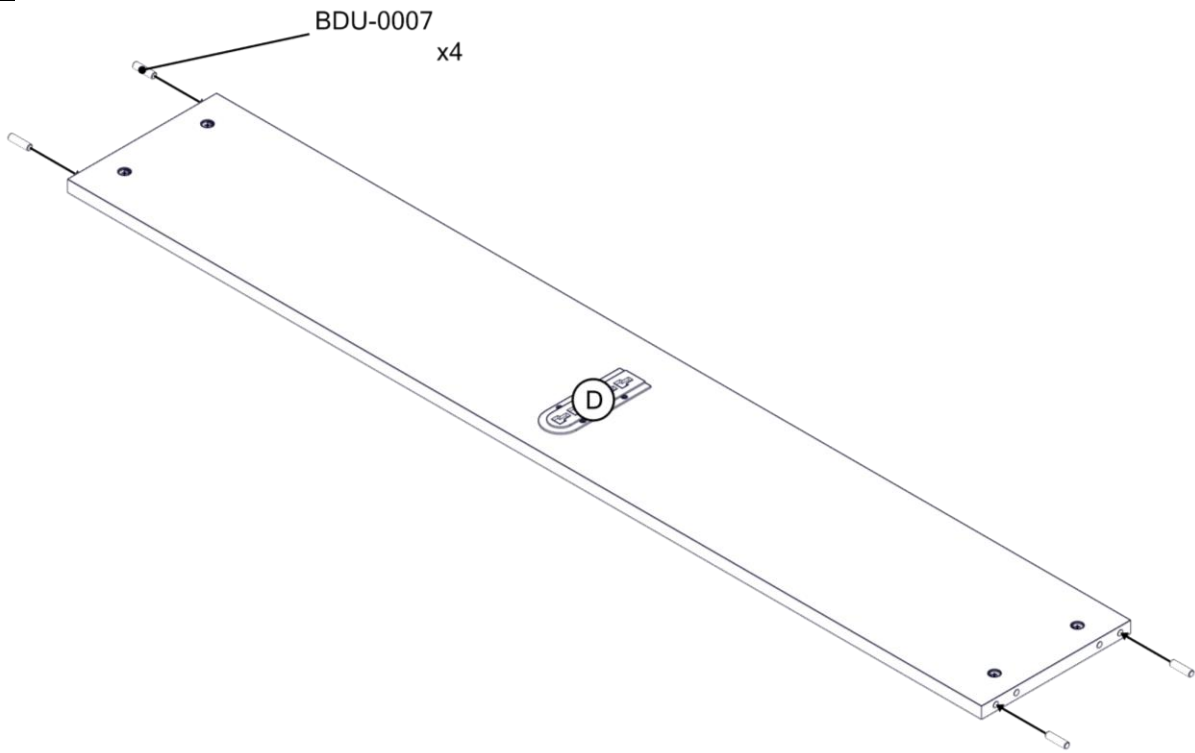
2



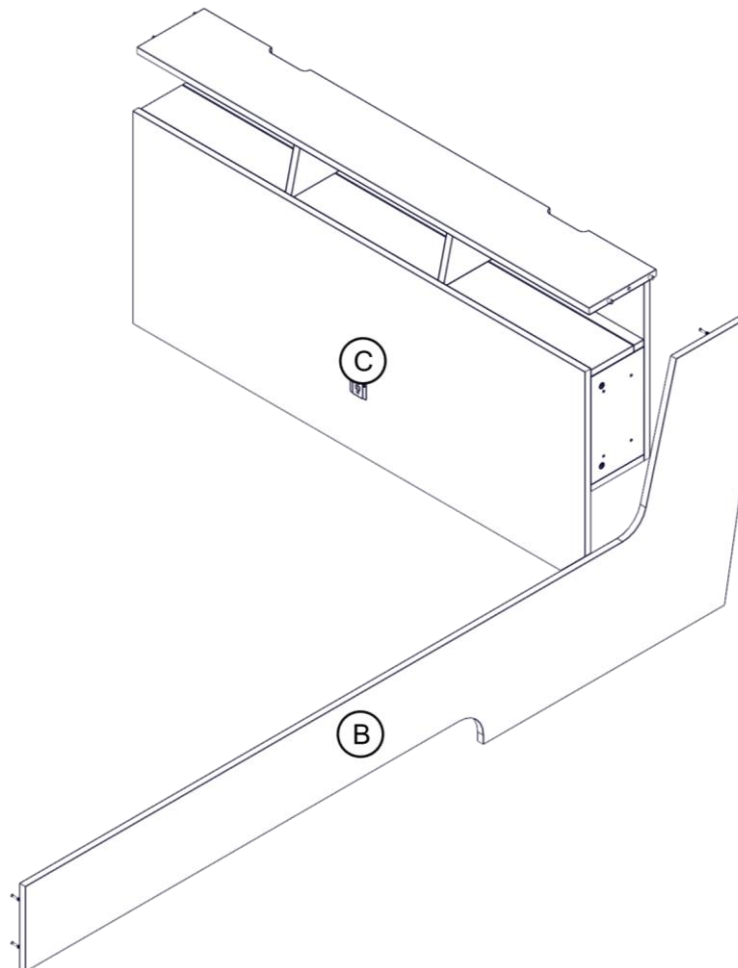


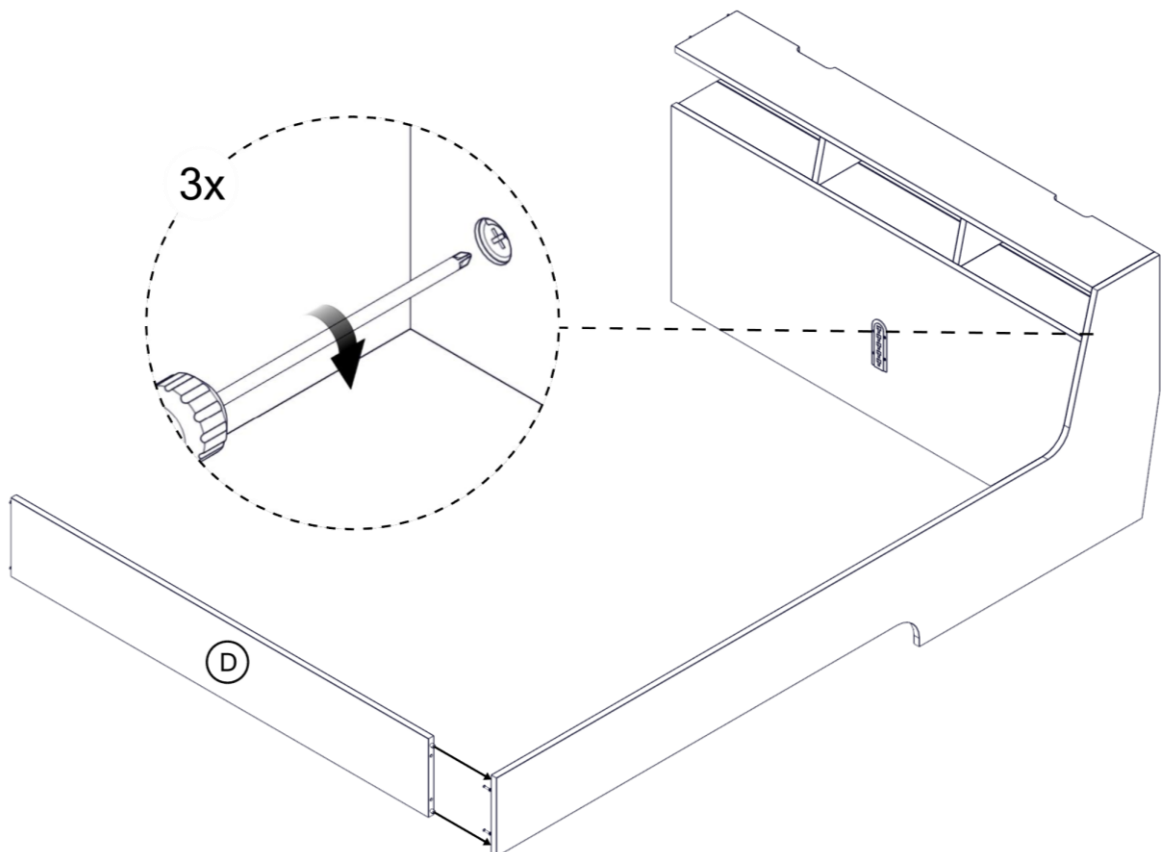
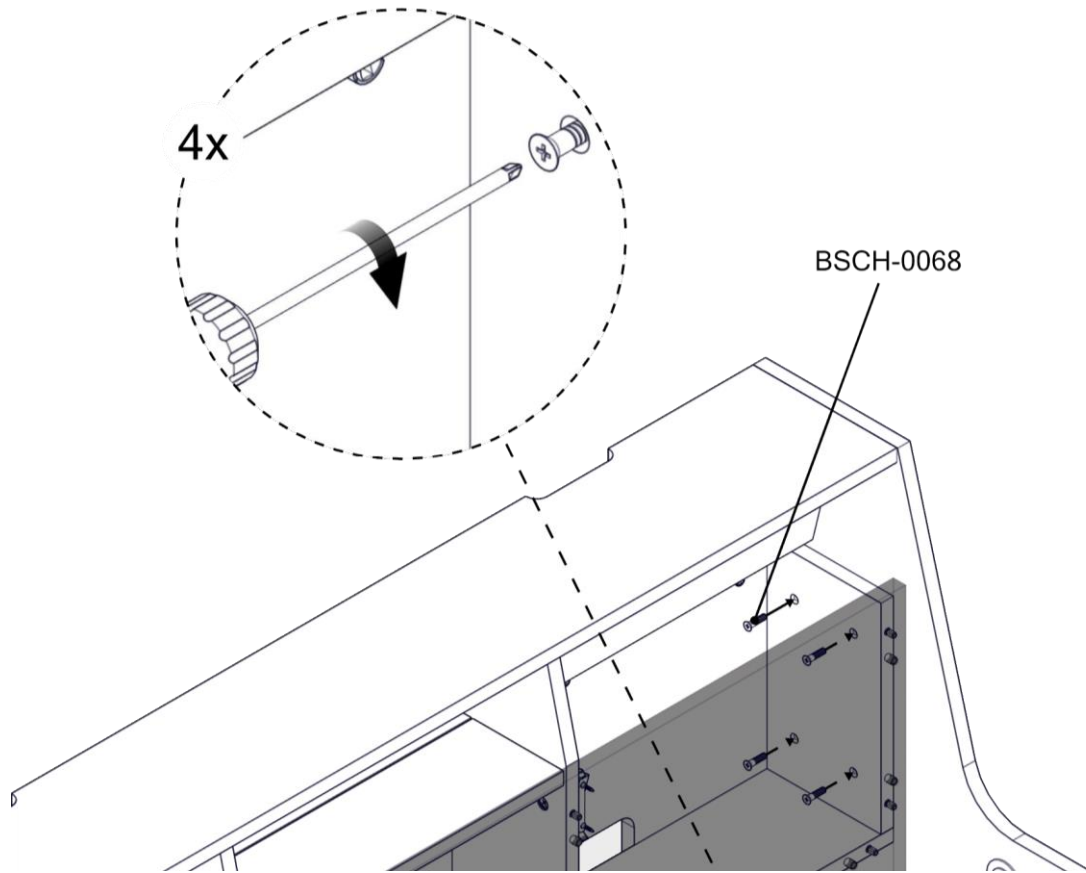
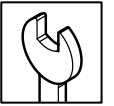
Slope-Bett

3



4

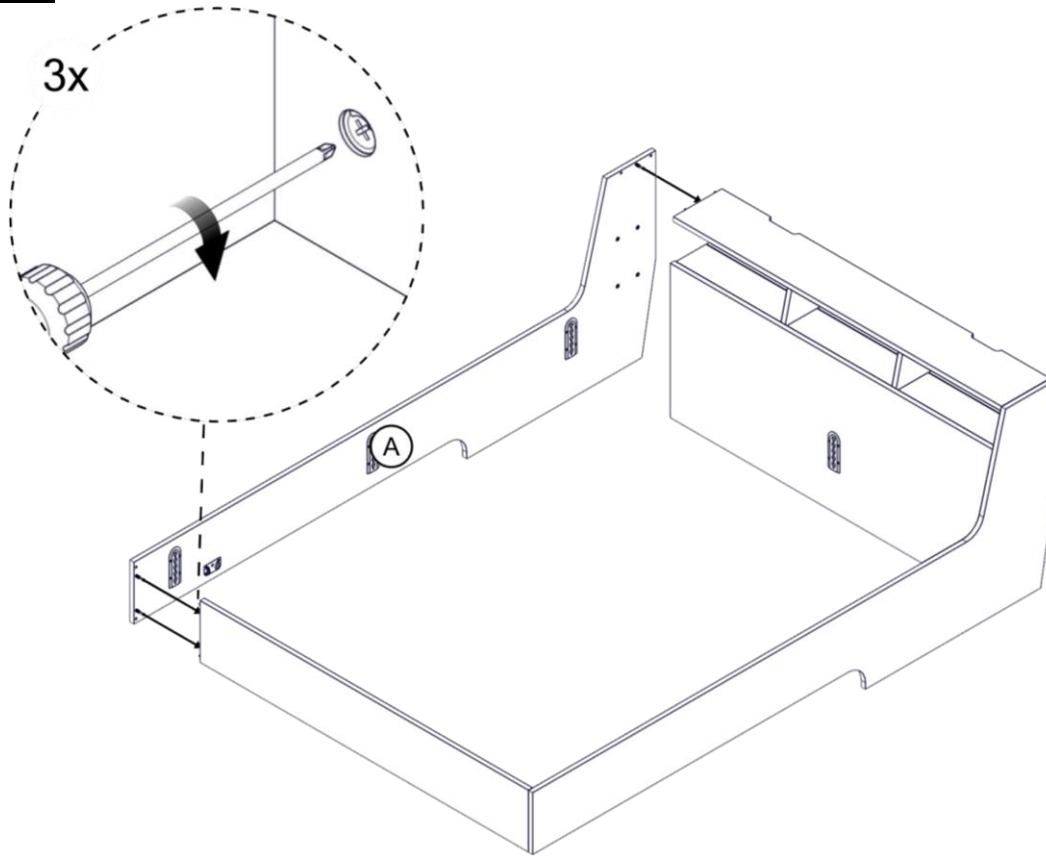




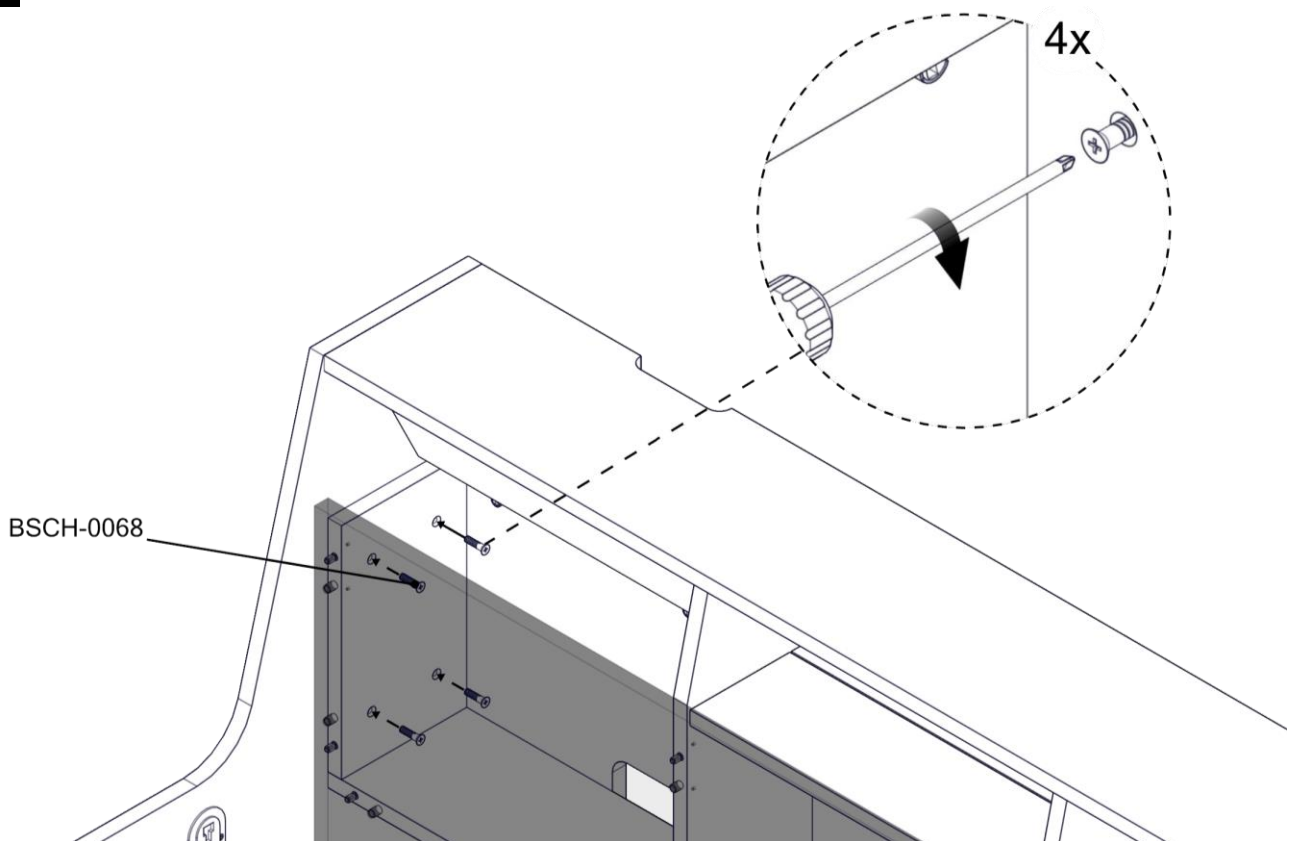


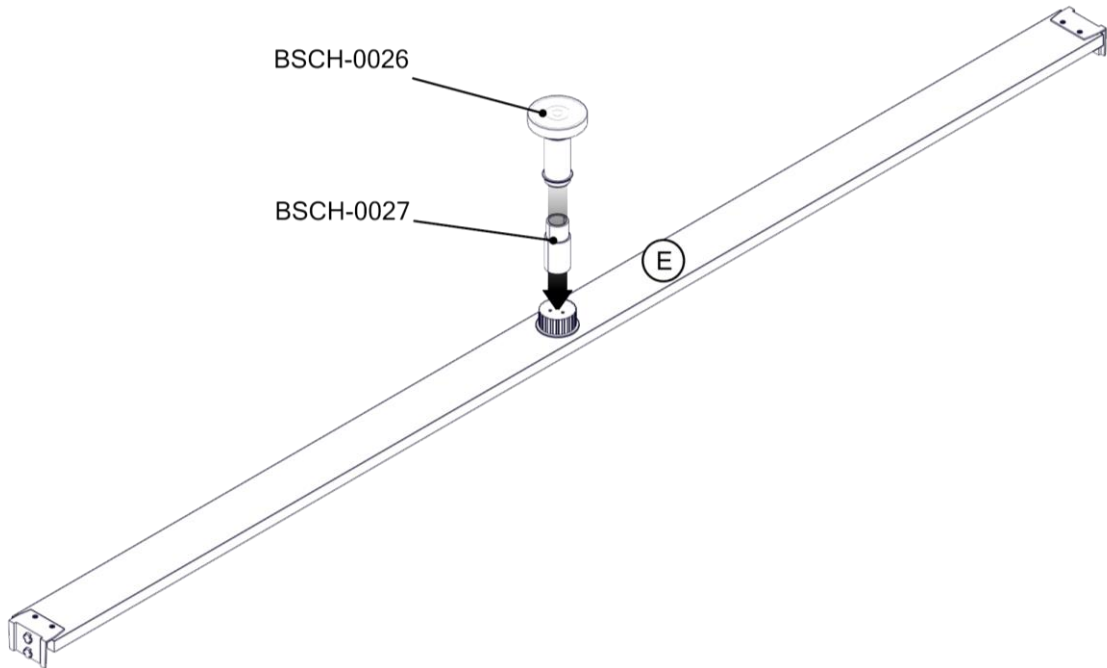
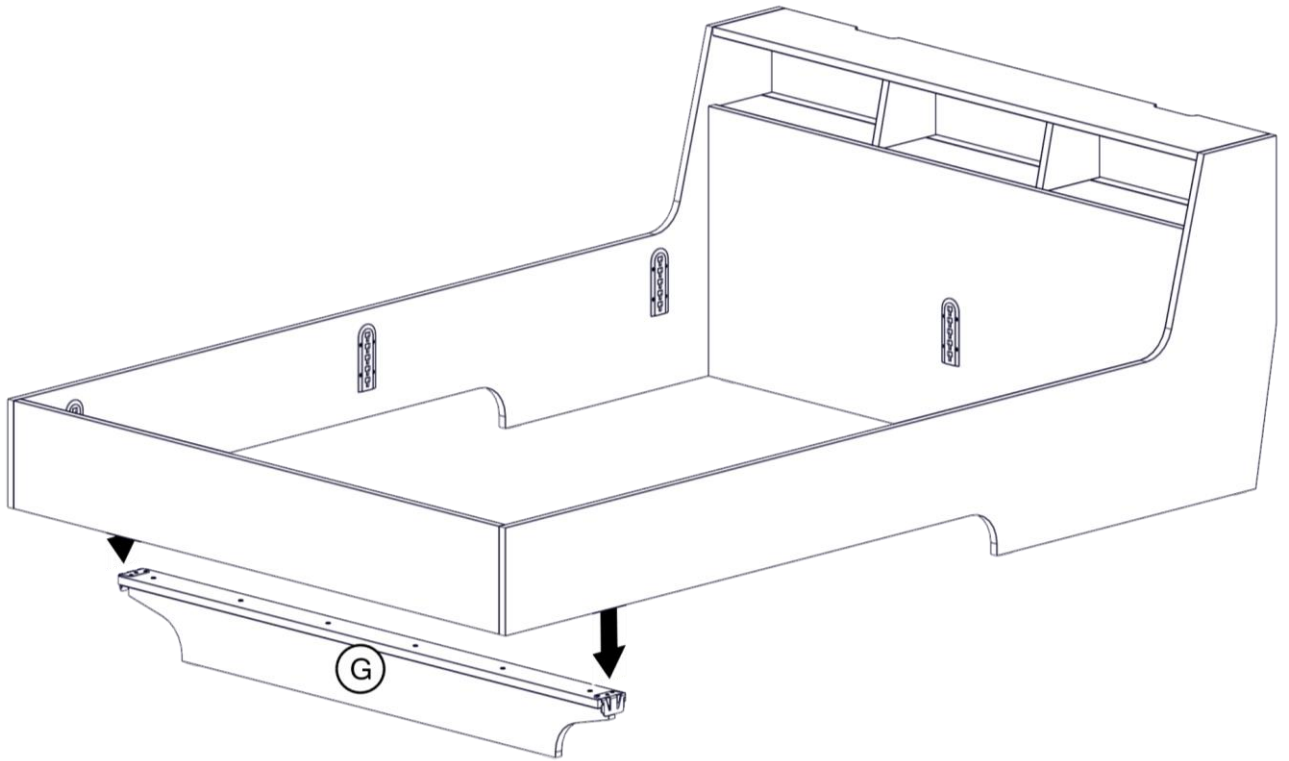
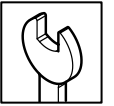
Slope-Bett

7



8







Slope-Bett

11

