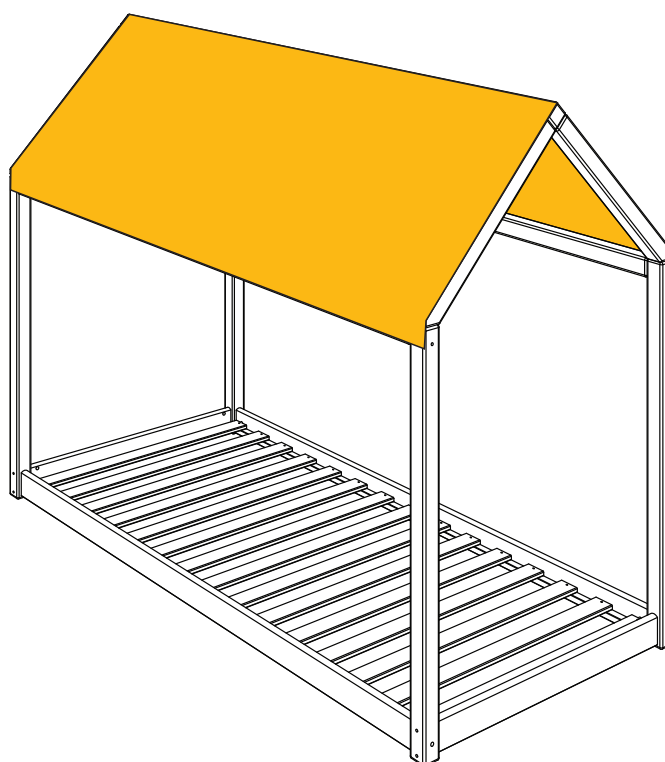


FLEXA®

83-60012/83-60013

KEEP FOR LATER USE

90 x 200cm



DK: Monterings- og brugsvejledning

GB: Assembly instructions and directions for use

DE: Montage- und Bedienungsanleitungen

FR: Consignes de montage et mode d'emploi

NL: Montage-instructies en gebruiksaanwijzingen

ES: Instrucciones de montaje y uso

IT: Istruzioni di montaggio e d'uso

TR: Montaj talimatları ve kullanım kılavuzu

GR: Οδηγίες συναρμολόγησης και χρήσης

PL: Instrukcje montażu i wskazówki użytkowania

RO: Instrucțiuni de asamblare și indicații de utilizare

PT: Instruções de montagem e instruções de uso

FI: Kokoonpano- ja käyttöohjeet

RU: Руководство по сборке и эксплуатации

CN: 装配说明和使用说明

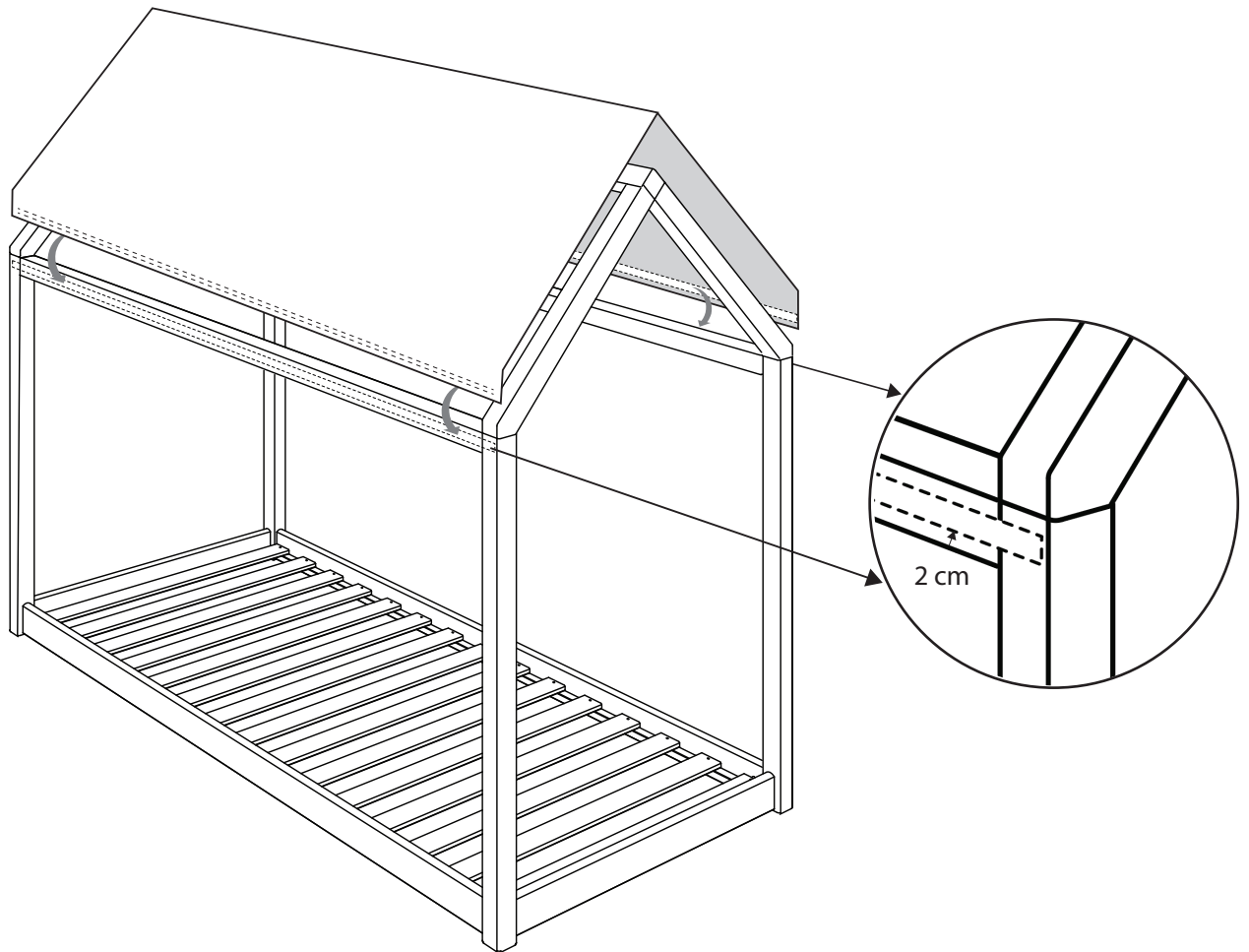
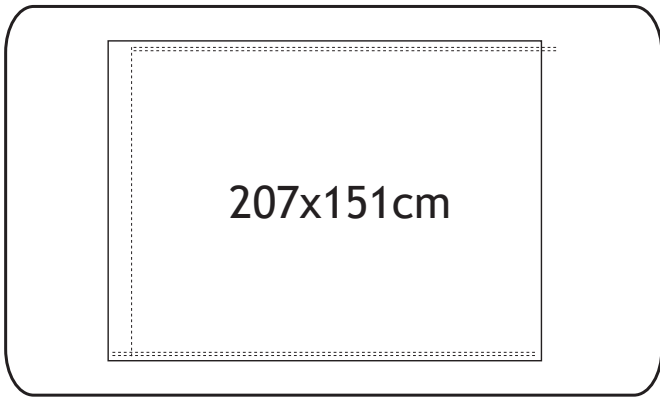
JP: 組立説明と使用方法

TH: คำแนะนำในการประกอบและคำแนะนำในการใช้งาน

KP/KR: 조립 지침 및 사용 지침

For indoor
domestic use

28/April 2020
44-01907



SAFETY AND CARE ADVICE

Minimum user age 6 years. Maximum weight in bed 120kg.

WARNING. Only for domestic use.

Keep the assembly instructions for further reference.

Modifications to the bed (for example the adding of an accessory) shall be carried out according to the instructions.

CARE AND MAINTENANCE

Regular check all nuts and bolts for tightness and tighten when required.

Replace defective parts in accordance with the instruction.



Dry clean only / Do not wash/ Do not bleach /
Medium Iron 150C (300F) /Do not tumble dry

FLEXA[®]
www.flexaworld.com