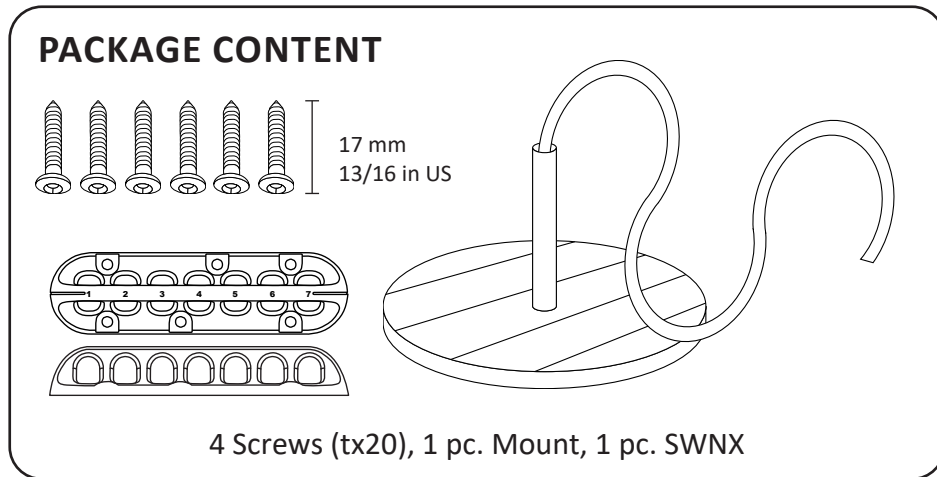
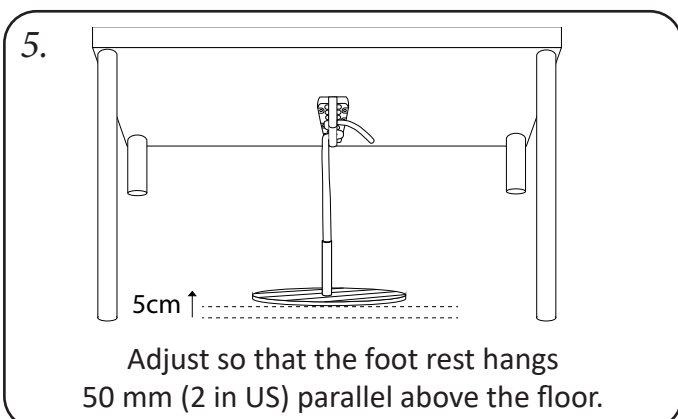
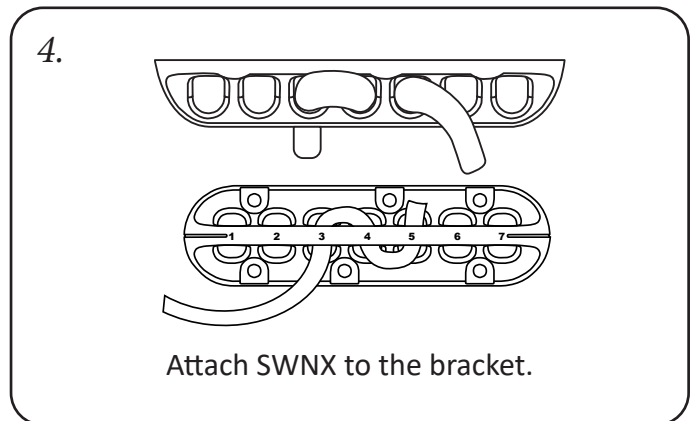
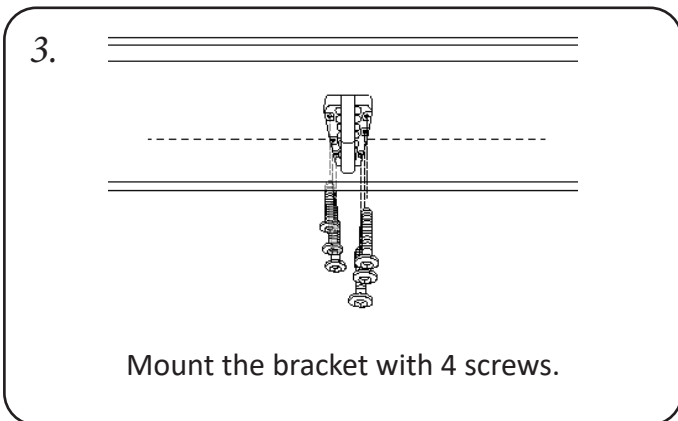
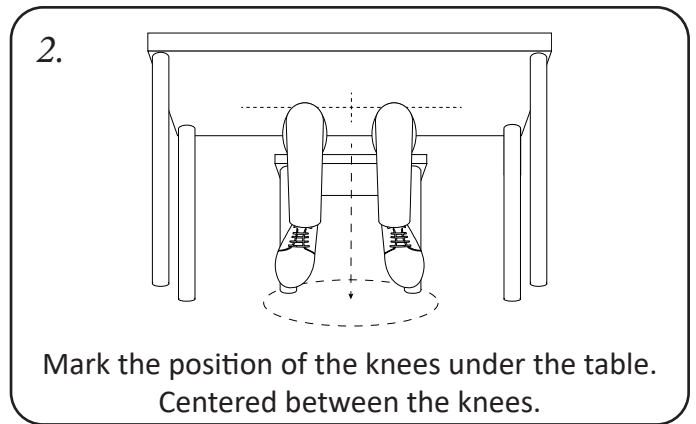
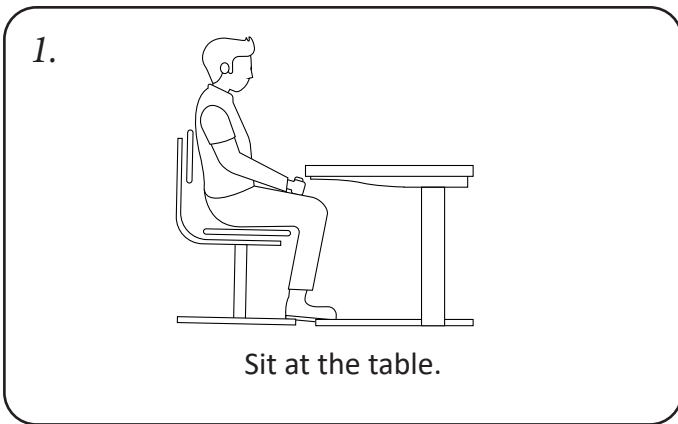


SWNX | INSTRUCTION MANUAL



Mounting requires additional tools: 1 pencil + screwdriver.
Attention: Table thickness should be over 20 mm (13/16 in US)



Patent by Resense
CVR: DK38500392
www.swnx.dk