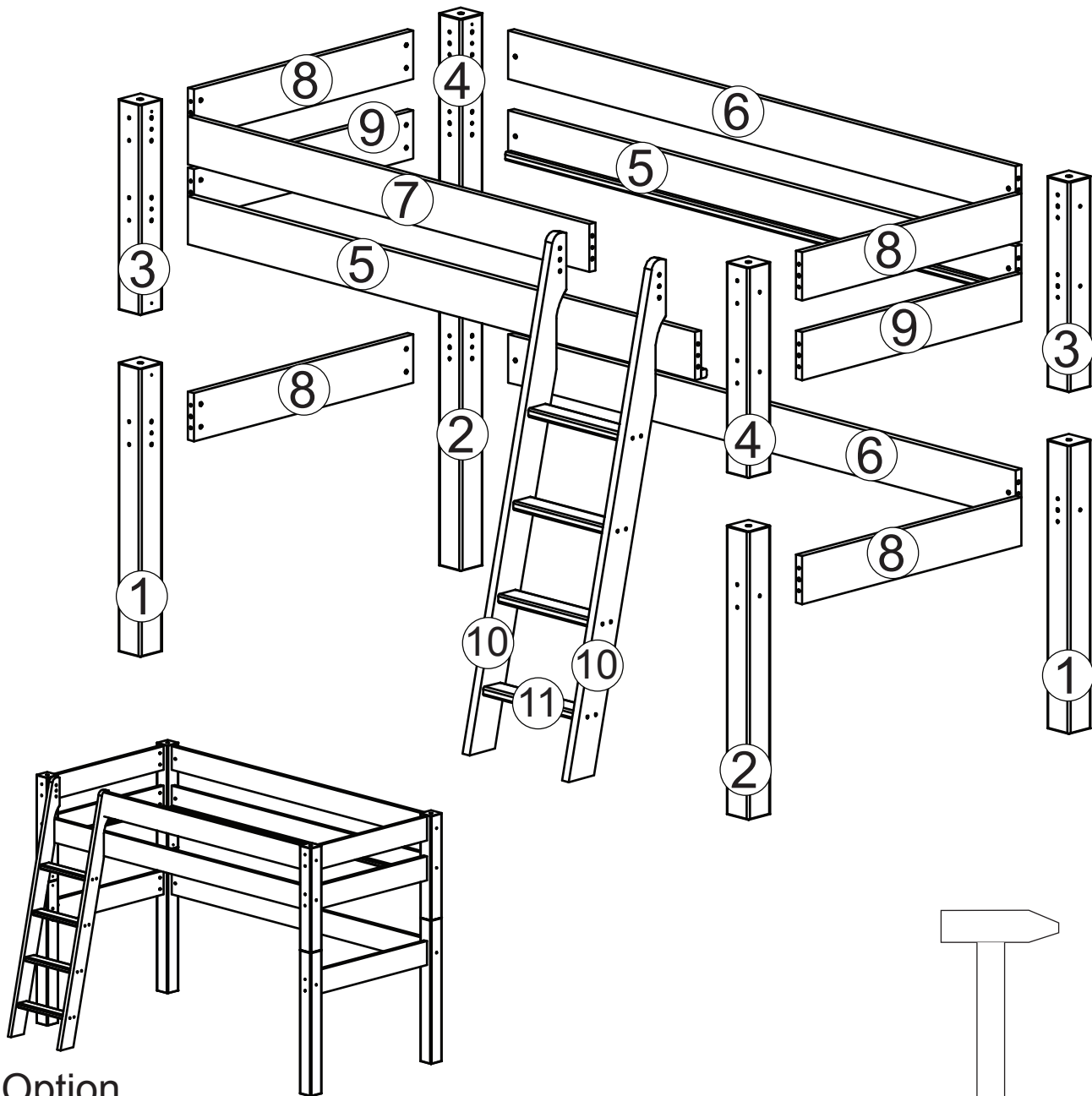


art. no. 1071



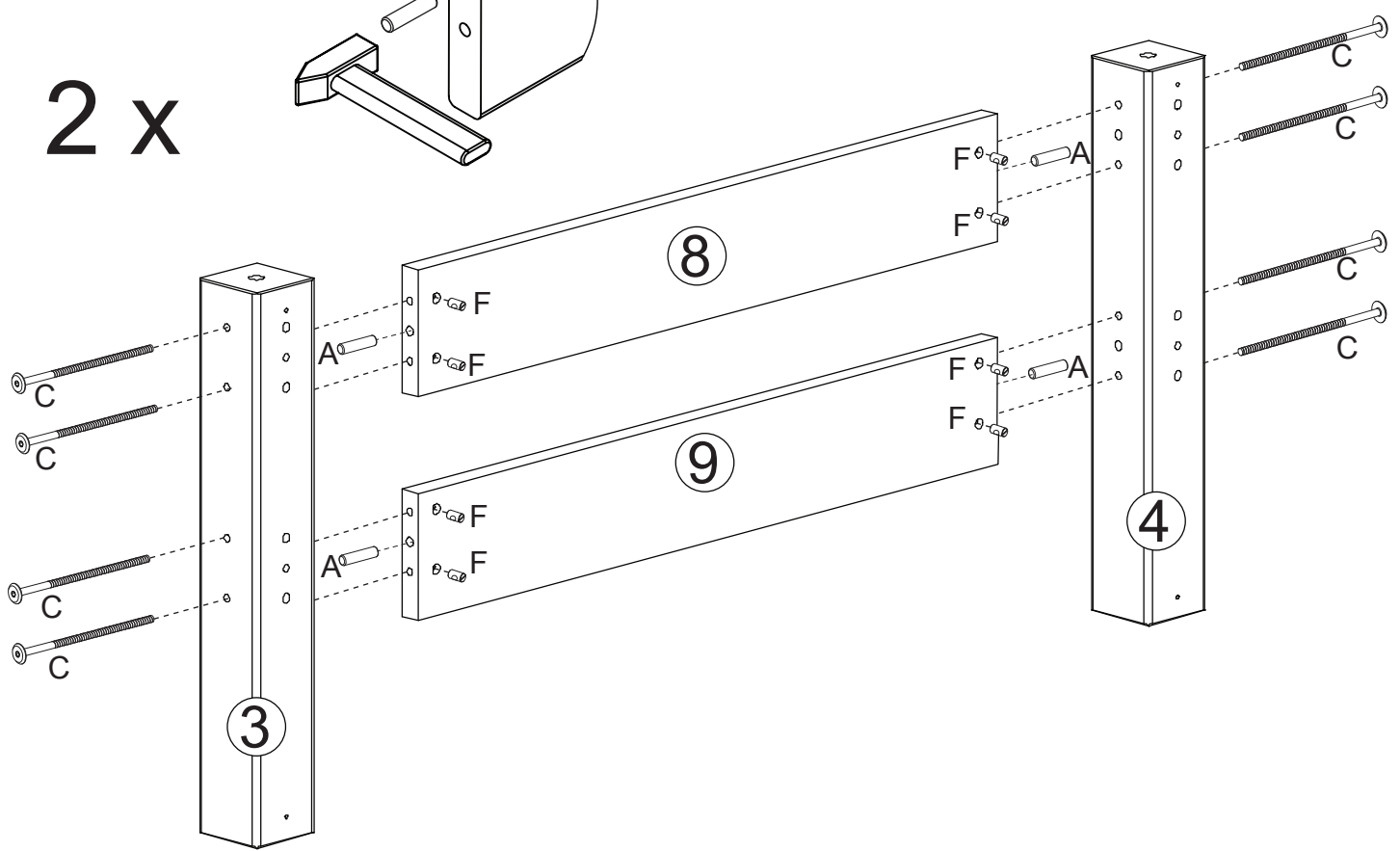
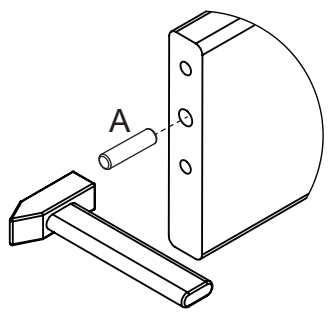
Option

| | | | |
|---|--|------------|----|
| A | | Ø10x40mm | 34 |
| B | | Ø16x75mm | 4 |
| C | | M6x120mm | 33 |
| D | | M6x100mm | 1 |
| E | | M6x55mm | 1 |
| F | | M6x10x14mm | 34 |
| G | | M6x8x15mm | 1 |

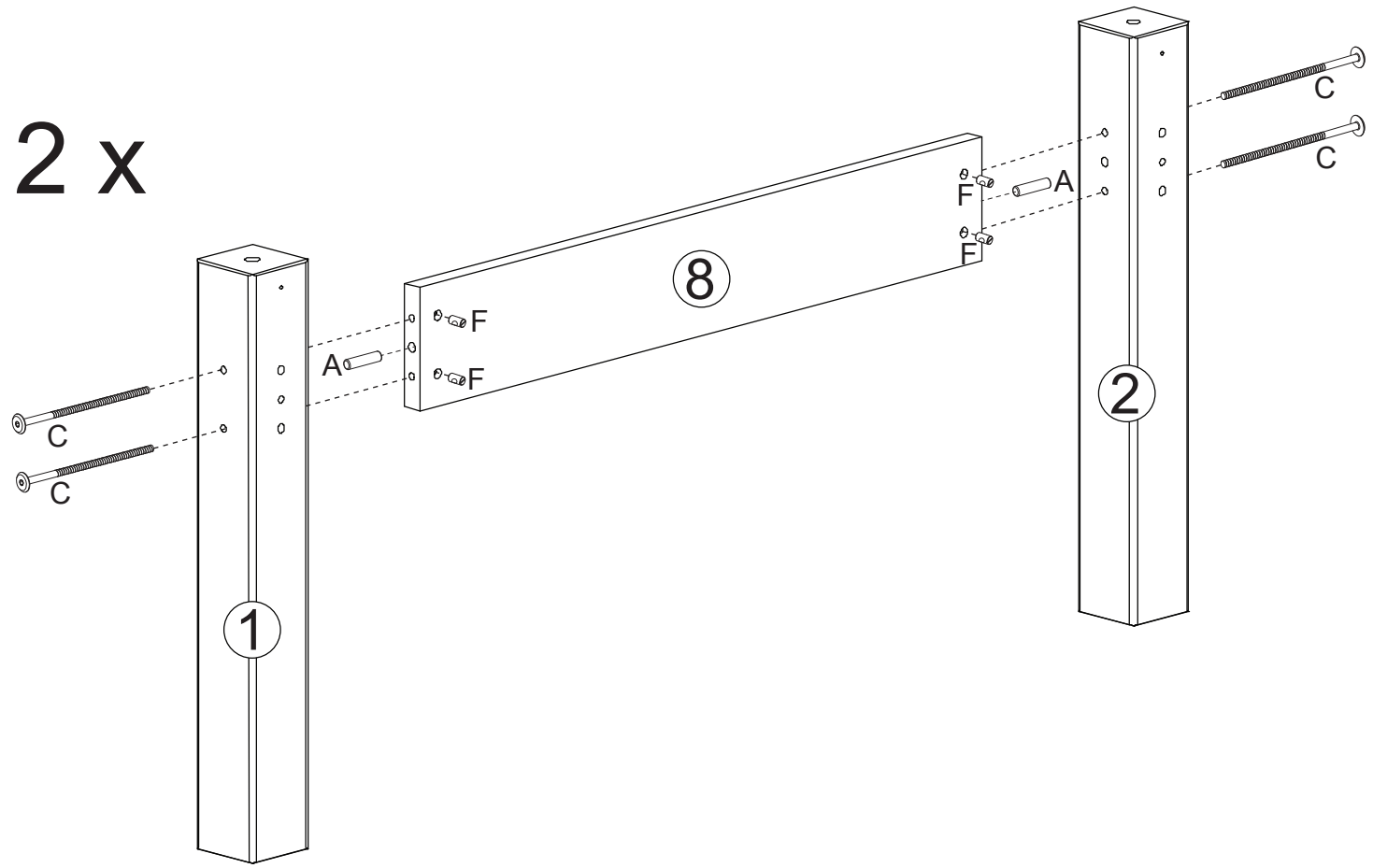
| | | | |
|---|--|----------|----|
| H | | 6.3x70mm | 16 |
| I | | 4.0x70mm | 10 |
| J | | 3.5x35mm | 24 |
| K | | Ø16 | 4 |
| L | | Ø10 | 8 |
| M | | Ø8 | 4 |
| N | | 4mm | 1 |

1

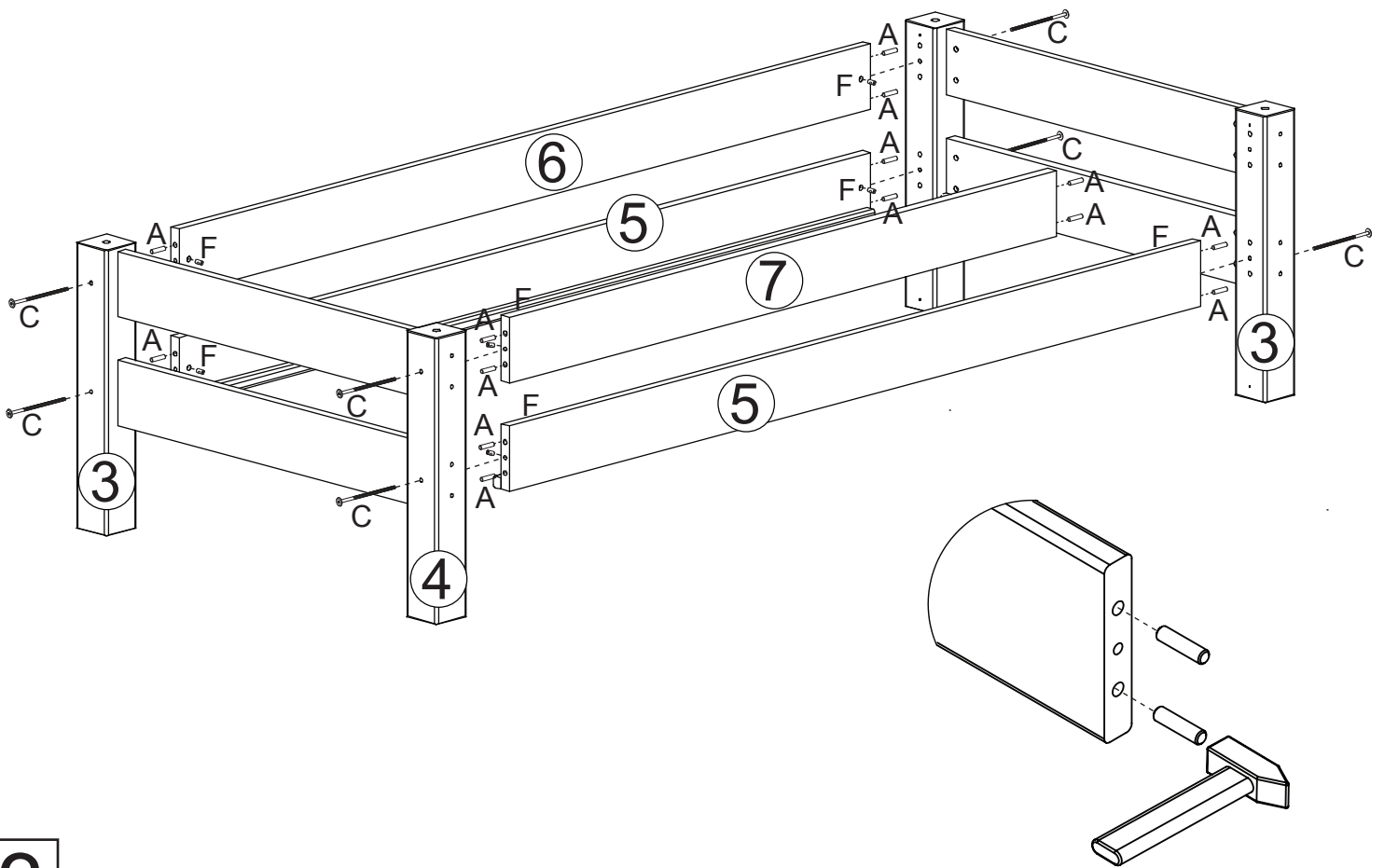
2 x



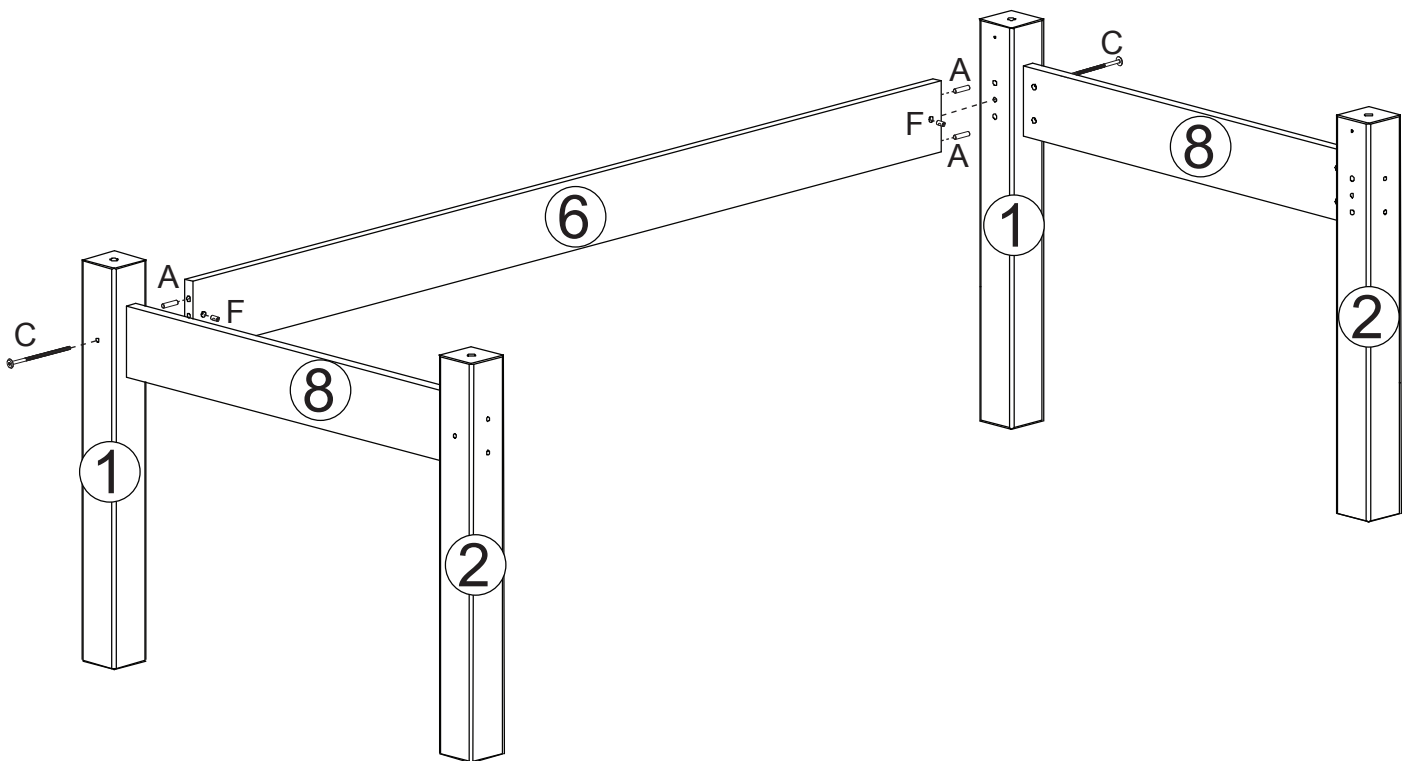
2 x



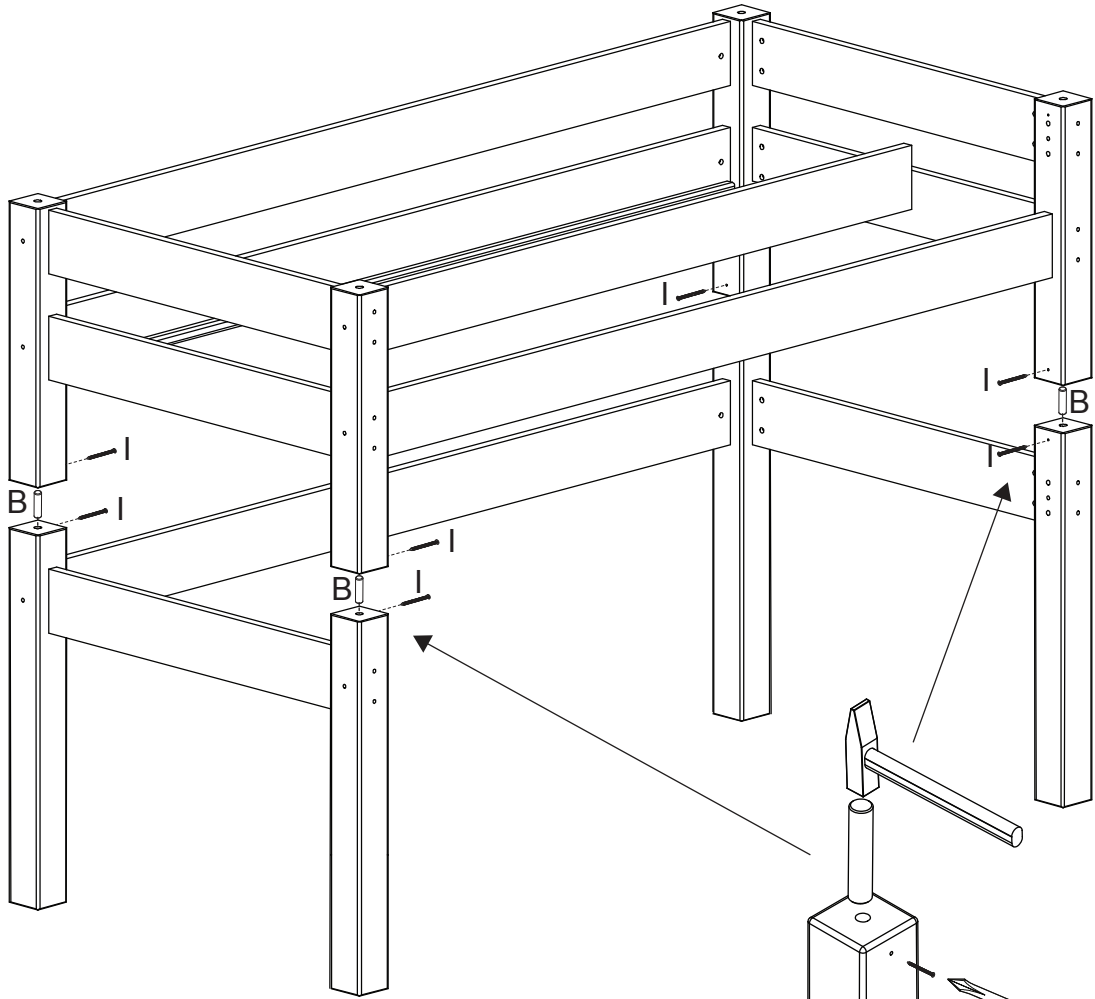
2



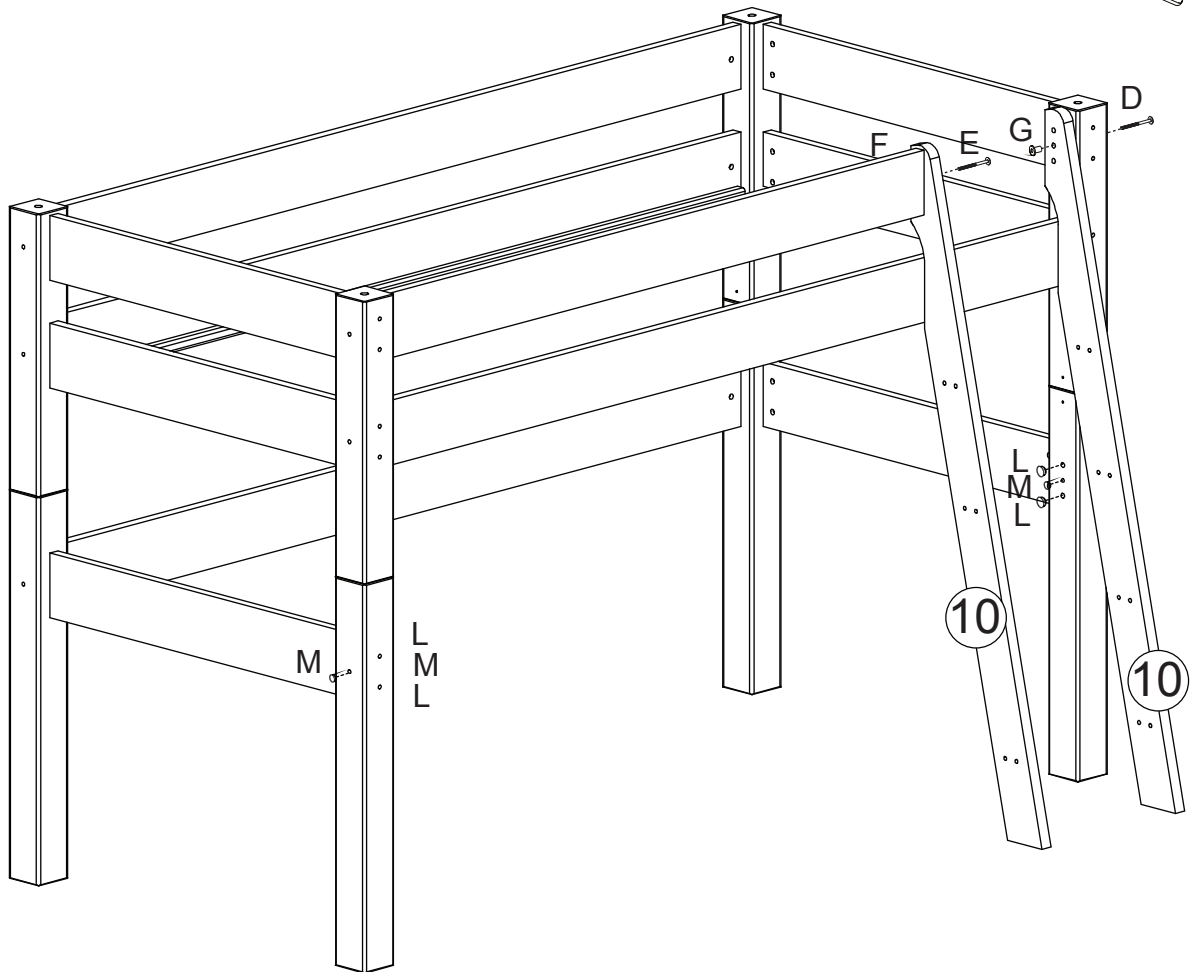
3



4



5



6

D: Max. Höhe der Matraze
GB: Max. height of mattress

